

# PKC Series - Euro 5

## MODEL: PK 16-250/9 - PK 17-250/9

PKC245/PKC245AS-9 speed

4 x 2

GVW 16500kg

GCW 26000kg

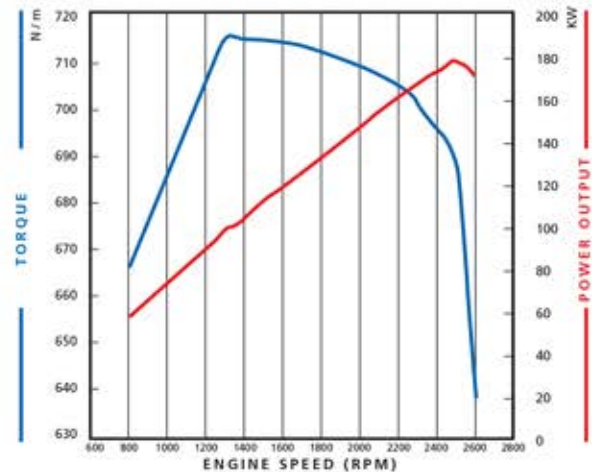


### ENGINE:

#### Engine

Model	UD Trucks GH7
Type	Six cylinder inline, OHC, 4 valves per cylinder, 4 stroke, direct injection, turbo charged diesel with intercooler
Displacement	7013cc
Bore and stroke	110 x 123mm
Maximum Power ECE	180Kw (245ps) at 2500rpm (nett)
Maximum Power JIS	187Kw (254ps) at 2500rpm (gross est)
Maximum torque ECE	716 Nm (528lb/ft) at 1400rpm (nett)
Maximum torque JIS	744Nm (548lb/ft) at 1400rpm (gross est)
On load max rpm	2600
Compression ratio	17.5:1
Oil capacity	17.4 litres
Lubrication system	Forced feed by gear pump
Air cleaner	Dry paper element type
Standard air intake	Snorkel type at rear of cab
Emission standard	Euro 5
SCR system	Selective Catalytic Reduction

### UD TRUCKS MOTOR GH7 ENGINE PERFORMANCE CURVE



#### Engine Cooling System

Radiator	Corrugated fin type
Water pump	Centrifugal
Header tank	Expansion type fitted
Temperature control	Wax pellet type thermostat
Lubricating oil	Oil cooler fitted
Fan	11 blade, 600mm, mounted on viscous hub

### DRIVELINE, ELECTRICAL & FUEL:

#### Clutch

Make	Nissan Diesel
Type	Dry single plate, Air servo-assisted Hydraulically operated release system
Clutch diameter	350mm

#### Front Axle

Model	UD Trucks Dropped Forged reverse Elliot "I" Beam Rated at 6500kg
-------	--

#### Rear Axle

Model	UD Trucks
Type	Fully floating pressed steel banjo housing
Factory rated at	11,000kg

#### Differential

Model	UD Trucks
Type	Single reduction hypoid
Standard Ratio	4.111:1

#### Gearbox

Model	Eaton ES-11109. Nine forward speeds, Two reverse Synchromesh on all forward gears. Constantmesh on reverse
-------	--

Gearshift	Mechanical remote control	
Ratios		
	LOW	HIGH
Low	12.64	
1st	8.81	2.48
2nd	6.55	1.85
3rd	4.77	1.34
4th	3.55	1.00
Rev	13.21	

#### Electrical System

System	24 volt negative earth
Batteries	2 x 12 volt 115 Ah.
Alternator	130 amp with built-in IC regulator

#### Fuel system

Tank Capacity	200 litre steel tank on LHS chassis
Fuel system	Electronic controlled common rail injection system
Fuel filter	Cartridge type primary and secondary filters with water separator.
AdBlue tank	50 litre capacity

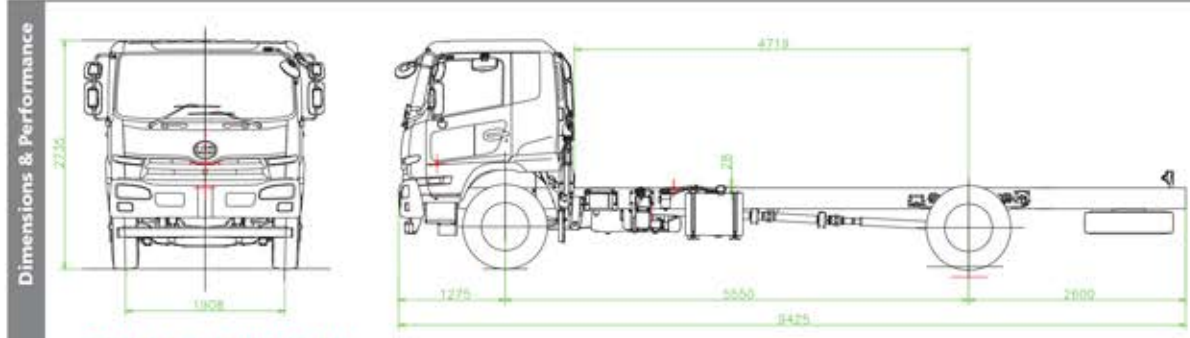
# PK 16-250/9 - PK 17-250/9AS

<b>CHASSIS</b>	<b>Chassis</b>	
	Type	Ladder channel section side rails
	Dimension	250/ x 80 x 8mm
	Width	860mm
	Material	Pressed carbon steel
	<b>Brakes</b>	
	Service	Full air dual line system, automatic adjusting taper roller drum brakes
	Drum dimensions	410mm
	Front	2,480 cm <sup>2</sup>
	Rear	1,672 cm <sup>2</sup>
Total lining	6,128 cm <sup>2</sup>	
Parking brakes	Spring brakes acting on rear wheels	
Auxiliary brakes	Exhaust butterfly type brake	
ABS	Wabco 4 channel	

<b>Suspension</b>	
Front	3 x Semi-elliptic tapered leaf springs. 80 x 1400mm
Spring constant	33.5 kg / mm per spring
Rear - Spring Option	Semi-elliptic 2 stage leaf. 9 main springs 80mm x 1600mm 8 helper springs 80mm x 1100mm
Spring constant	112.5kg/mm
Rear - Air Option	Hendrickson HAS230, 2 bag fully floating with torque rod and shock absorbers
<b>Steering &amp; Wheels</b>	
Type	Integral power assisted recirculating ball steering box
Reduction ratio	22.42:1
Steering wheel	460mm diameter moulded polyurethane grip
Steering column	Fore / aft tilt, telescopic and lockable
Road Wheels	Pressed steel disc 8.25 x 22.5, 10 stud, 165mm offset
Tyres	275/75 R 22.5 tubeless radials

<b>CAB &amp; INSTRUMENTS</b>	<b>Gauges</b>	
	Instrument gauges	Fuel, dual air pressure, tachometer, AdBlue gauge. Speedometer with odometer and trip meter.
	Multi Display	Water temperature, Engine oil temperature, Engine oil pressure day, date and time, service intervals.
	<b>Warning Devices</b>	
	Warning lamps	Engine control warning, low air pressure, Low brake fluid, ABS, parking brake/spring brake, hazard, air filter element, low oil pressure, battery charge, SCR warning indicator.
	Indicator lamps	Turn signal, Exhaust brake, air heater, high beam, cruise control
	<b>Audible warning</b>	
	Devices include	Low brake fluid, low air pressure, coolant level and overheating, reversing, oil temp, engine over run, EHS system
	<b>Exterior</b>	
	Type	Steel Construction fully suspended forward control ECE R29 compliant
Cab suspension	Spring suspension with hydraulic shock absorbers	
Tilting	Torsion bar type	
Windshield	Laminated tinted safety glass	
Windshield wiper	Two arms, dual speed with intermittent operation.	
Side and rear windows	Tinted safety glass	
Cab front lid	Hinged for easy checking of maintenance (clutch fluid, coolant, washer reservoir)	
Mirrors	Heated and electrically operated main mirrors. Passenger side rear and downward spotter mirrors	

<b>Interior</b>	
Drivers seat	Cloth trimmed high-back multi adjustable air suspended seat with automatic height control. 3 point ELR lap sash seatbelts
Passengers seat	Cloth trimmed reclining high-back type fixed seat with 3 point ELR lap sash seatbelts
Sun visors	Driver and passenger side.
Overhead tray	Document holders on drivers and passenger side
Cup holder	Slide out of dash
Floor covering	Vinyl
Bunk	Bed in rear of cab, cloth trimmed type
<b>Standard equipment</b>	
Control switches	Two stalk controls which incorporate 1. Turn signal, lighting, cruise control 2. Wiper/washer/engine/exhaust brake, hazard warning
Features	<ul style="list-style-type: none"> <li>SRS Drivers air bag with seat belt pre tensioner</li> <li>Door intrusion bars</li> <li>Air conditioner/Heater demister</li> <li>4 mode operation with 4 speed fan</li> <li>Engine idling control button</li> <li>Electric windows</li> <li>Central Locking with keyless entry</li> <li>AM/FM radio with CD player</li> </ul>
Lamps	<ul style="list-style-type: none"> <li>Halogen head lamps</li> <li>Hazard / Turn signal / Clearance lamps</li> <li>Stop / Tail lamps</li> <li>Reversing Lamp</li> <li>License plate lamp</li> </ul>
	<ul style="list-style-type: none"> <li>Cigar lighter</li> <li>Electric horn</li> <li>Foot rest</li> <li>Spare tyre</li> <li>Equipped tyre carrier</li> <li>Tool kit</li> </ul>



**Cab & Chassis Weights Kg**

With 200 litres of fuel, 50 litres AdBlue, spare wheel and tools

Model	Front	Rear	Total
PK 16-250/9 Leaf	3220	2150	5370
PK 17 250/9 Air	3225	2100	5320

**IMPORTANT NOTICE:** Weights obtained by weighing a vehicle on a NZ Govt. certified weighbridge. Please note that weights may vary from unit to unit.



**UD TRUCKS**

This specification sheet applies to vehicles supplied by UD Truck Distributors (NZ) Ltd for the New Zealand market from September 2011. In accordance with UD Trucks Corporation policy of continuous improvement, the right is reserved to change specifications without notice.

0800 538 735  
**CENTRAL GROUP**  
 FORKLIFTS & TRUCKS  
[www.centralgroup.co.nz](http://www.centralgroup.co.nz)