

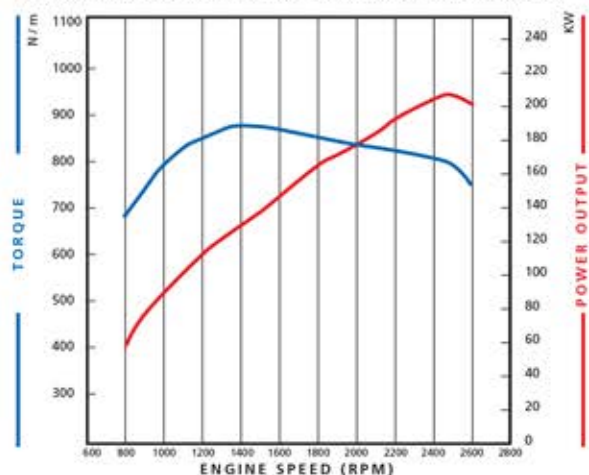
MODEL: MK11-280

GVW 11000kg
GCW 16000kg



ENGINE:	
Engine	
Model	UD Trucks GH7
Type	Six cylinder inline, OHC, 4 valves per cylinder, 4 stroke, direct injection, turbo charged diesel with intercooler
Displacement	7013cc
Bore and stroke	110 x 123mm
Maximum output ECE	206Kw (280PS) at 2500rpm (Nett)
Maximum output JIS	214Kw (291PS) at 2500rpm (Gross est.)
Maximum torque ECE	883 Nm (651lb/ft) at 1400rpm (Nett)
Maximum torque JIS	917 Nm (676lb/ft) at 1400rpm (Gross est.)
On load max rpm	2600
Compression ratio	17.5:1
Oil capacity	17.4 litres
Lubrication system	Forced feed by gear pump
Air cleaner	Dry paper element type
Standard air intake	Snorkel type at rear of cab
Emission standard	Euro 5
SCR system	Selective Catalytic Reduction
AdBlue tank	50 litre capacity

UD TRUCKS MOTOR GH7 ENGINE PERFORMANCE CURVE



Engine Cooling System	
Radiator	Corrugated fin type
Water pump	Centrifugal
Header tank	Expansion type fitted
Temperature control	Wax pellet type thermostat
Lubricating oil	Oil cooler fitted
Fan	11 blade, 600mm, mounted on viscous hub

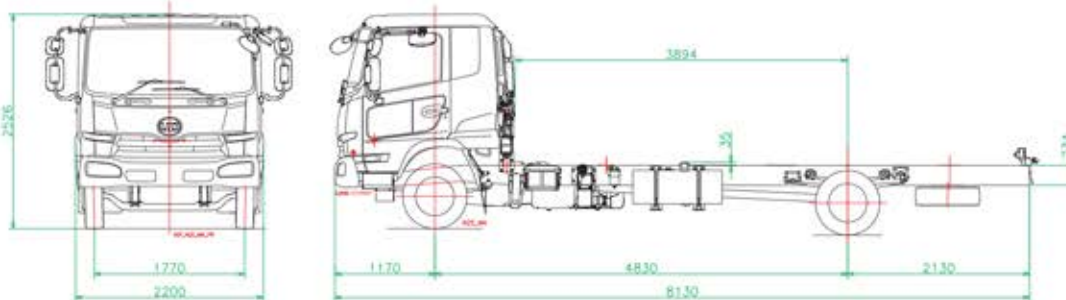
DRIVELINE, ELECTRICAL & FUEL:	
Clutch	
Make	Nissan Diesel
Type	Dry single plate, Air servo-assisted Hydraulically operated release system
Clutch diameter	380mm
Front Axle	
Model	UD Trucks Dropped Forged reverse Elliot "I" Beam Rated at 4000kg
Rear Axle	
Model	UD Trucks
Type	Fully floating pressed steel banjo housing
Factory rated at	7,500kg
Differential	
Model	UD Trucks
Type	Single reduction hypoid
Standard Ratio	3.727:1

Gearbox	
Model	UD Trucks MPS63B. Six forward speeds, one reverse Synchromesh on 2nd to 6th. Constantmesh on 1st gear
Gearshift	Mechanical remote control with air assistance
Ratios	1st 7.027 2nd 4.277 3rd 2.493 4th 1.500 5th 1.000 6th 0.780 Rev 7.038
Electrical System	
System	24 volt negative earth
Batteries	2 x 12 volt 115 Ah.
Alternator	130 amp with built-in IC regulator
Fuel system	
Tank Capacity	200 litre steel tank on LHS chassis
Fuel system	Electronic controlled common rail injection system
Fuel filter	Cartridge type primary and secondary filters with water separator.

CHASSIS	Chassis				Suspension
	Type	Ladder channel section side rails	Front	3 x Semi-elliptic tapered leaf springs. 70 x 1300mm	
	Dimension	234/ x 70 x 7mm	Spring constant	26.9 kg / mm per spring	
	Width	860mm	Rear - Spring Option	Semi-elliptic 2 stage leaf. 7 main springs 70mm x 1300mm 7 helper springs 70mm x 980mm	
	Material	Pressed carbon steel	Spring constant	100.5kg/mm	
	Brakes	Brakes	Rear - Air Option	Hendrickson HAS200, 2 bag fully floating with torque rod and shock absorbers	
	Service	Air /Hydraulic dual line system			
	Drum dimensions	320mm			
	Front	1360 cm ²			
	Rear	1672 cm ²			
Total lining	3,032 cm ²				
Parking brakes	Spring brakes acting on rear wheels			Steering & Wheels	
Auxiliary brakes	Exhaust butterfly type brake			Type	Integral power assisted recirculating ball steering box
ABS	Wabco 4 channel			Reduction ratio	18.8
EHS	Easy Hill Start equipped			Steering wheel	460mm diameter moulded polyurethane grip
				Steering column	Fore / aft tilt, telescopic and lockable
				Road Wheels	Pressed steel disc 6.75 x 17.5, 6 stud, 135mm offset
				Tyres	235/70 R 17.5 tubeless radials

CAB & INSTRUMENTS	Gauges				Interior
	Instrument gauges	Fuel, dual air pressure, tachometer, AdBlue gauge. Speedometer with odometer and trip meter	Drivers seat	Cloth trimmed high-back multi adjustable air suspended seat with automatic height control. 3 point ELR lap sash seatbelts	
	Multi Display	Water temperature, Engine oil temperature, Engine oil pressure day, date and time, service intervals	Passengers seat	Cloth trimmed reclining high-back type fixed seat with 3 point ELR lap sash seatbelts	
	Warning Devices		Sun visors	Driver and passenger side	
	Warning lamps	Engine control warning, low air pressure, Low brake fluid, ABS, parking brake/spring brake, hazard, air filter element, low oil pressure, battery charge, SCR warning indicator	Overhead tray	Document holders on drivers and passenger side	
	Indicator lamps	Turn signal, Exhaust brake, air heater, high beam, cruise control	Cup holder	Slide out of dash	
	Audible warning		Floor covering	Vinyl	
	Devices include	Low brake fluid, low air pressure, coolant level and overheating, reversing, oil temp, engine over run, EHS system	Bunk	Bed in rear of cab, cloth trimmed type	
	Exterior		Control switches	Standard equipment Two stalk controls which incorporate 1. Turn signal, lighting, cruise control 2. Wiper/washer/engine/exhaust brake, hazard warning	
	Type	Steel Construction fully suspended forward control ECE R29 compliant	Features	<ul style="list-style-type: none"> SRS Drivers air bag Door intrusion bars Air conditioner/heater demister 4 mode operation with 4 speed fan Engine idling control button Electric windows Central Locking with keyless entry AM/FM radio with CD player 	
Cab suspension	Spring suspension with hydraulic shock absorbers	Lamps	<ul style="list-style-type: none"> Halogen head lamps Hazard / Turn signal / Clearance lamps Stop / Tail lamps Reversing Lamp License plate lamp 		
Tilting	Torsion bar type				
Windshield	Laminated tinted safety glass				
Windshield wiper	Two arms, dual speed with intermittent operation				
Side and rear windows	Tinted safety glass				
Cab front lid	Hinged for easy checking of maintenance (clutch fluid, coolant, washer reservoir)				
Mirrors	Heated and electrically operated main mirrors. Passenger side rear and downward spotter mirrors				

Dimensions & Performance



Cab & Chassis Weights Kg

With 200 litres of fuel, 50 litres AdBlue, spare wheel and tools

Model	Front	Rear	Total
MKB280 Leaf	2550	1350	3900
MKB280 Air	2570	1370	3940

IMPORTANT NOTICE: Weights obtained by weighing a vehicle on a NZ Govt. certified weighbridge. Please note that weights may vary from unit to unit.



UD TRUCKS