

MK Series - Euro 5

MODEL: MK11-250

4 x 2

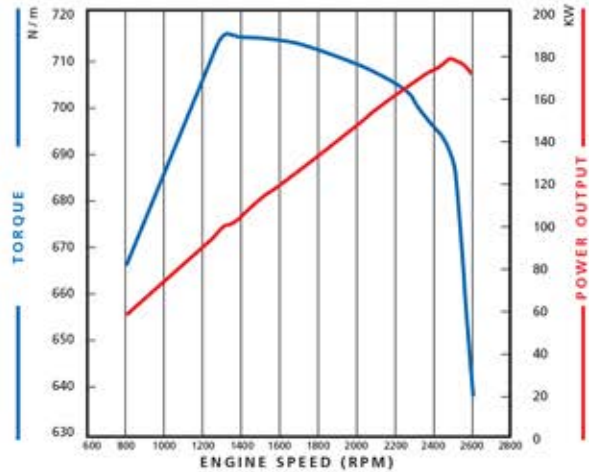
GVW 11000kg

GCW 16000kg



ENGINE:	
Engine	
Model	UD Trucks GH7
Type	Six cylinder inline, OHC, 4 valves per cylinder, 4 stroke, direct injection, turbo charged diesel with intercooler
Displacement	7013cc
Bore and stroke	110 x 123mm
Maximum Power ECE	180Kw (245PS) at 2500rpm (Nett)
Maximum Power JIS	187Kw (254PS) at 2500rpm (Gross est.)
Maximum torque ECE	716 Nm (528lb/ft) at 1400rpm (Nett)
Maximum torque JIS	744 Nm (548lb/ft) at 1400rpm (Gross est.)
On load max rpm	2600
Compression ratio	17.5:1
Oil capacity	17.4 litres
Lubrication system	Forced feed by gear pump
Air cleaner	Dry paper element type
Standard air intake	Snorkel type at rear of cab
Emission standard	Euro 5
SCR system	Selective Catalytic Reduction

UD TRUCKS MOTOR GH7 ENGINE PERFORMANCE CURVE



Engine Cooling System	
Radiator	Corrugated fin type
Water pump	Centrifugal
Header tank	Expansion type fitted
Temperature control	Wax pellet type thermostat
Lubricating oil	Oil cooler fitted
Fan	11 blade, 600mm, mounted on viscous hub

DRIVELINE, ELECTRICAL & FUEL:	
Clutch	
Make	Nissan Diesel
Type	Dry single plate, Air servo-assisted Hydraulically operated release system
Clutch diameter	350mm
Front Axle	
Model	UD Trucks Dropped Forged reverse Elliot "I" Beam Rated at 4000kg
Rear Axle	
Model	UD Trucks
Type	Fully floating pressed steel banjo housing
Factory rated at	7,500kg
Differential	
Model	UD Trucks
Type	Single reduction hypoid
Standard Ratio	4.111:1

Gearbox	
Model	UD Trucks MLS63B. Six forward speeds, one reverse Synchromesh on 2nd to 6th. Constantmesh on 1st gear
Gearshift	Mechanical remote control with air assistance
Ratios:	1st 6.718 2nd 4.031 3rd 2.303 4th 1.443 5th 1.000 6th 0.740 Rev 6.121
Electrical System	
System	24 volt negative earth
Batteries	2 x 12 volt 115 Ah.
Alternator	130 amp with built-in IC regulator
Fuel system	
Tank Capacity	200 litre steel tank on LHS chassis
Fuel system	Electronic controlled common rail injection system
Fuel filter	Cartridge type primary and secondary filters with water separator.
AdBlue tank	50 litre capacity



UD Truck Distributors (NZ) Ltd.
Authorised Distributor for UD Trucks Corporation

CHASSIS	Chassis		Suspension	
	Type	Ladder channel section side rails	Front	3 x Semi-elliptic tapered leaf springs. 70 x 1300mm
Dimension	234/ x 70 x 7mm	Spring constant	26.9 kg / mm per spring	
Width	860mm	Rear - Spring Option	Semi-elliptic 2 stage leaf. 7 main springs 70mm x 1300mm 7 helper springs 70mm x 980mm	
Material	Pressed carbon steel	Spring constant	100.5kg/mm	
Brakes	Brakes	Rear - Air Option	Hendrickson HAS200, 2 bag fully floating with torque rod and shock absorbers	
Service	Air /Hydraulic dual line system			
Drum dimensions	320mm			
Front	1360 cm ²			
Rear	1672 cm ²			
Total lining	3,032 cm ²			
Parking brakes	Spring brakes acting on rear wheels			
Auxiliary brakes	Exhaust butterfly type brake			
ABS	Wabco 4 channel			
		Steering & Wheels		
		Type	Integral power assisted recirculating ball steering box	
		Reduction ratio	18.8	
		Steering wheel	460mm diameter moulded polyurethane grip	
		Steering column	Fore / aft tilt, telescopic and lockable	
		Road Wheels	Pressed steel disc 6.75 x 17.5, 6 stud, 131mm offset	
		Tyres	235/70 R 17.5 tubeless radials	


CAB & INSTRUMENTS	Gauges		Interior	
	Instrument gauges	Fuel, dual air pressure, tachometer, AdBlue gauge. Speedometer with odometer and trip meter.	Drivers seat	Cloth trimmed high-back multi adjustable air suspended seat with automatic height control. 3 point ELR lap sash seatbelts
Multi Display	Water temperature, Engine oil temperature, Engine oil pressure day, date and time, service intervals.	Passengers seat	Cloth trimmed reclining high-back type fixed seat with 3 point ELR lap sash seatbelts	
	Warning Devices	Sun visors	Driver and passenger side.	
Warning lamps	Engine control warning, low air pressure, Low brake fluid, ABS, parking brake/spring brake, hazard, air filter element, low oil pressure, battery charge, SCR warning indicator.	Overhead tray	Document holders on drivers and passenger side	
Indicator lamps	Turn signal, Exhaust brake, air heater, high beam, cruise control	Cup holder	Slide out of dash	
	Audible warning	Floor covering	Vinyl	
Devices include	Low brake fluid, low air pressure, coolant level and overheating, reversing, oil temp, engine over run, EHS system	Bunk	Bed in rear of cab, cloth trimmed type	
	Exterior	Control switches	Standard equipment Two stalk controls which incorporate 1. Turn signal, lighting, cruise control 2. Wiper/washer/engine/exhaust brake, hazard warning	
Type	Steel Construction fully suspended forward control ECE R29 compliant	Features	<ul style="list-style-type: none"> SRS Drivers air bag with seat belt pre tensioner Door intrusion bars Air conditioner/Heater demister 4 mode operation with 4 speed fan Engine idling control button Electric windows Central Locking with keyless entry AM/FM radio with CD player 	
Cab suspension	Spring suspension with hydraulic shock absorbers	Lamps	<ul style="list-style-type: none"> Halogen head lamps Hazard / Turn signal / Clearance lamps Stop / Tail lamps Reversing Lamp License plate lamp 	
Tilting	Torsion bar type			
Windshield	Laminated tinted safety glass			
Windshield wiper	Two arms, dual speed with intermittent operation.			
Side and rear windows	Tinted safety glass			
Cab front lid	Hinged for easy checking of maintenance (clutch fluid, coolant, washer reservoir)			
Mirrors	Heated and electrically operated main mirrors. Passenger side rear and downward spotter mirrors			

Dimensions & Performance

Cab & Chassis Weights Kg

Model	Front	Rear	Total
MKB245 Leaf	2490	1320	3810
MKB245 Air	2490	1340	3830

IMPORTANT NOTICE: Weights obtained by weighing a vehicle on a NZ Govt. certified weighbridge. Please note that weights may vary from unit to unit.



UD TRUCKS

This specification sheet applies to vehicles supplied by UD Truck Distributors (NZ) Ltd for the New Zealand market from September 2011. In accordance with UD Trucks Corporation policy of continuous improvement, the right is reserved to change specifications without notice.