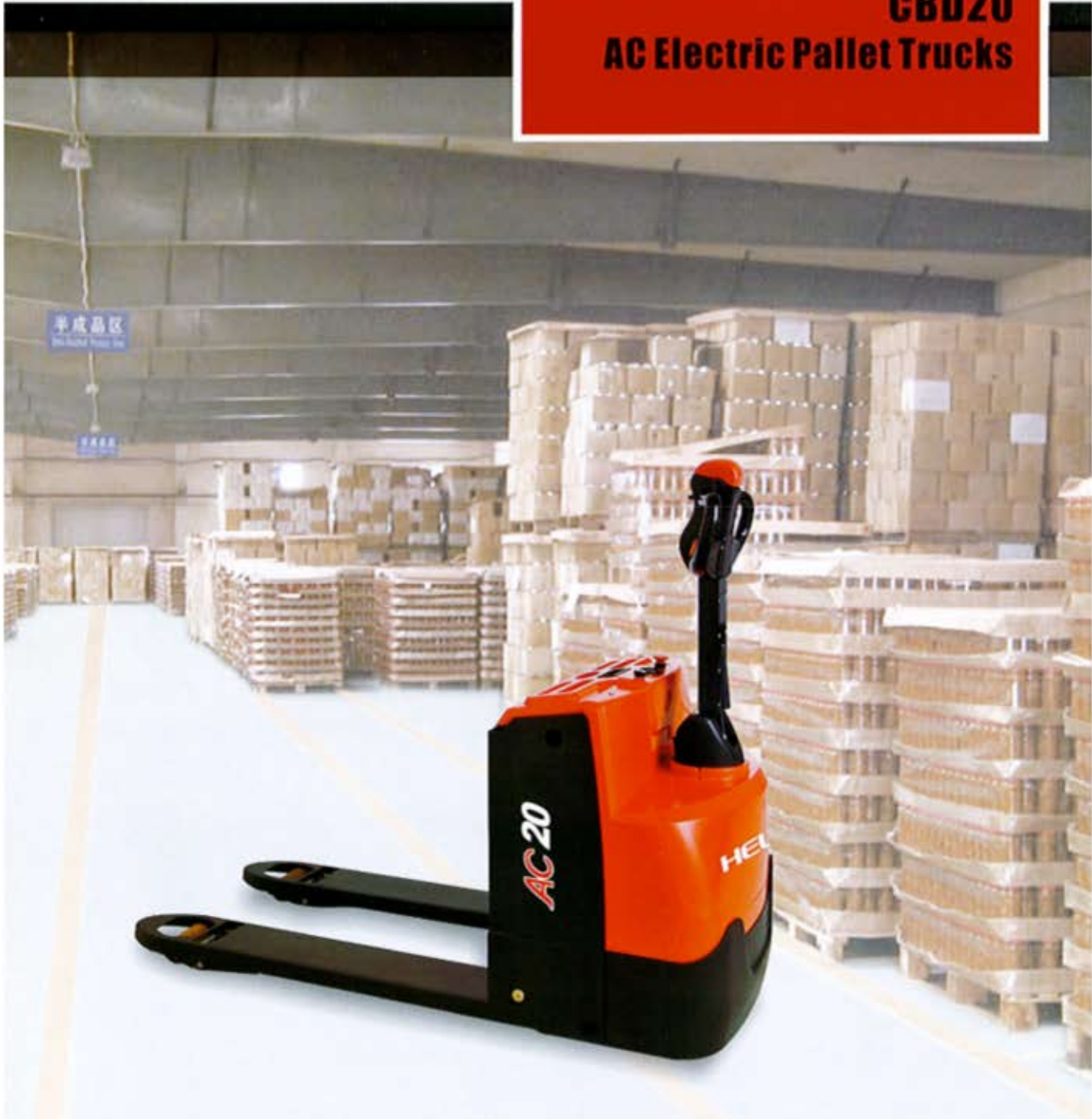
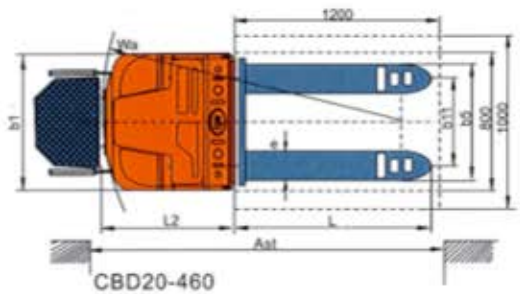
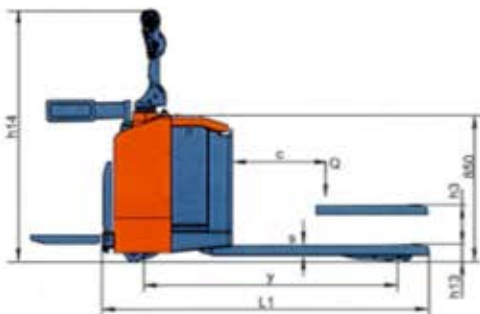


**2.0 ton
CBD20
AC Electric Pallet Trucks**





2.0 ton
CBD20
AC Electric Pallet Trucks



CENTRAL GROUP
FORKLIFTS & TRUCKS

Phone : 0800 538 735 Web : www.centralgroup.co.nz

- **Multi-function instrument**
It includes the hour meter, and battery discharge indicator (BDI) to inform the operator to recharge the battery in time.
- **Operator handle**
Ergonomically designed handle for operator comfort and ease of use. Variable speeds available allowing the operator to increase or decrease speeds to suit each varying situations.
- **Electric power steering system (EPS)**
Indirect power assisted steering system which is not connected directly to the drive wheel. This allows for a more direct and precise steering that is lighter than conventional designs.
- **AC drive motor and Curtis AC controller**
High performance AC drive together with a Curtis AC controller maximizes power output.
- **Sealed stabilizer wheels**
Maintenance free sealed stabilizer wheel units eliminate damage from shrink wrap and banding material, whilst optimizing stability.

CBD20-460 also has the following special characteristics:

- **Automatic drive wheel traction compensation system**
Centrally located servo cylinder keeps drive wheel traction optimized as loads are increased. This overcomes traction loss caused by the lightening of the drive wheel when the machine is fully loaded.
- **Easy change battery side extraction**
The battery can be pulled out from side makes the battery changing is convenient and quickly.





Characteristics				
1	Model Designation		CBD20	CBD20
2	Configuration Number		460	150
3	Power type		electric(battery)	
4	Operator Type		stand - on	pedestrian
5	Load capacity	Q(kg)	2000	
6	Load center	c(mm)	600	
7	Wheelbase	y(mm)	1460	1390
Wheels				
8	Tyre Type		PU	
9	Tyre Size, drive	mm	φ 248x75	
10	Tyre Size, load	mm	φ 80x80	
11	Stabilizer wheels (size)	mm	φ 115x55	
12	Wheels number,Stabilizer/load(x=driving wheels)		1X+2/4	1X+1/4
13	Tread,rear	b11 (mm)	355/385/415/500	
Dimensions				
14	Handle in neutral position	h14(mm)	1455	1385
15	Overall Length	L1 (mm)	1910/1960	1750/1800
16	Length to face of forks	L2(mm)	760	600
17	Overall Width	b1(mm)	790	720
18	Maximum Lifting height	h3(mm)	120	110
19	Height,fork lowered	h13(mm)	85	
20	Fork Thickness	s(mm)	55	
21	Fork Width	e(mm)	185	
22	Fork Length	L(mm)	1150/1200	
23	Width overall forks	b5(mm)	540/570/600/685	
24	Outside turning radius,platform up/down	Wa(mm)	1465/2140	1575
25	Right angle stacking aisle width for pallets 800 x 1200 mm, platform up/down(clearance: 200)	Ast(mm)	2140/2815	2235
26	Right angle stacking aisle width for pallets 1000 x 1200 mm, platform up/down(clearance: 200)	Ast(mm)	2225/2900	2325
Performance				
27	Travel speed,with/without load	km/h	6/6	4.5/4.5
28	Lifting speed,with/without load	mm/s	40/45	50/60
29	Lowering speed,with/without load	mm/s	35/20	50/40
30	Gradeability,with/without load	%	5/7	
31	Service Brake		Electromagnetic brake	
Motor				
32	Drive motor power	kW	AC1.5	
33	Lift motor power	kW	DC2	
34	Battery voltage/ capacity	V/Ah	24/270	24/210
Weight				
35	Battery Weight	kg	252	190
36	Weight (include battery)	kg	854	612

