

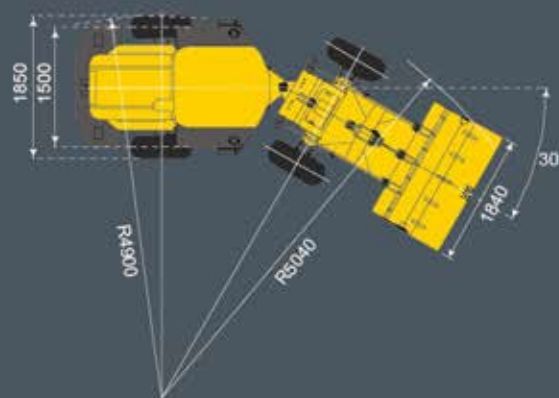
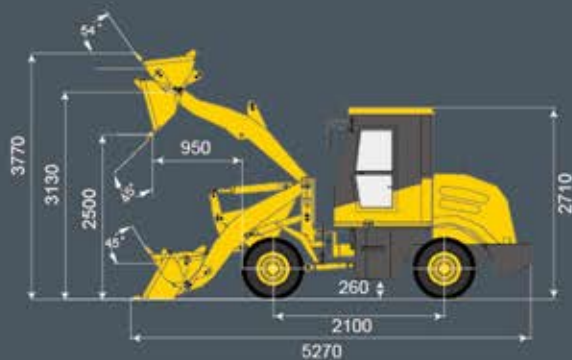


HL915

**MANY CONDITIONS AND
COMPOUND WHEEL LOADER**

HELI
LIFTING THE FUTURE

 **CENTRAL GROUP** 
FORKLIFTS & TRUCKS



ITEM	PARAMETER	UNIT	
Rated load	1500	kg	
Rated bucket capacity	0.7	m ³	
Dumping height(45°dumping angle)	2500	mm	
Dumping distance(45°dumping angle)	950	mm	
Max.breakout force	36.8	kN	
Max.traction force	15	kN	
Dimension(L*W*H)	5270x1840x2710	mm	
Operating weight	3500	kg	
Raise time(full load)	≤5.5	s	
Hydraulic time	≤9	s	
Steering angle	30°±1°	°	
Min.turning radius(Outside of wheel)	4900	mm	
Gradeability	30	°	
Wheelbase	2100	mm	
Wheel tread	1500	mm	
Travel speed	Forward (I / II gear)	8/16	km/h
Travel speed	Reverse	8/16	km/h
Engine Model	Xinchai A498BT1		
Rated power	37kw@2200r/min		
Tire size	12-16.5 (14-17.5)		

Standard configuration	Optional Configuration
Xinchai A498BT1 Diesel Engine	Cummins B3.3-C60 Engine
Automatic transmission with torque converter	Changchai 4L68 Engine
Driving axle with disc brake	
Quick Coupler	
Pilot control for hydraulic system (Joystick)	

- For staying ahead of competitions by constant upgrading of machinery and technology,
- HELI have the rights to update details of specifications and design before inform end users.

