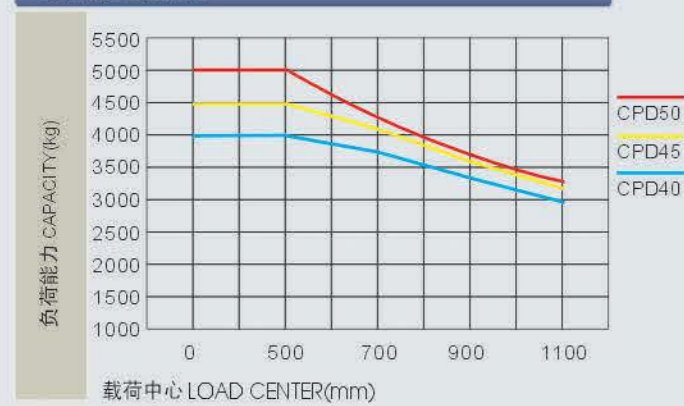


性能参数 SPECIFICATION					
型号	Model	Unit	CPD40	CPD45	CPD50
配置号	Configuration No.		B2	B2	B2
额定起重量	Load Capacity	kg	4000	4500	5000
载荷中心距	Load Center	mm	500		
驾驶方式	Operator Type		座式 Seated		
起升速度 (空/满载)	Speed Lift(No Load/With Load)	mm/s	490/300	490/290	410/250
最大下降速度	Max.Speed Lower	mm/s	空载(No load)≥300 满载(With load)≤600		
最大行驶速度 (空/满载)	Max.Speed Travel(No Load/With Load)	km/h	15/14	14.5/13.5	14/13
爬坡能力 (满载)	Max.Gradeability(With Load)	%	16	15	13
轮胎类型	Tyre Type		超弹性实心胎 Superelastic		
前轮轮胎	Front Tyre		250-15		
后轮轮胎	Rear Tyre		21x8-9		
行车制动	Operating Brakes		液压 Hydraulic		
停车制动	Parking Brakes		机械 Mechanical		
行走控制类型	Driving Controller Type		MOS管/交流 MOSFET/AC		
行走电机功率	Driving Motor	kW	18(AC)		
油泵电机功率	Pump Motor	kW	8.6+13(DC)		
蓄电池电压/容量(5h放电)	Battery Voltage/Rated Capacity(5h)	V/Ah	80/600	80/650	80/650
蓄电池箱体尺寸(长x宽x高)	Size of Batterybox(LxWxH)	mm	1050x915x743	1050x915x863	1050x915x863
蓄电池重量 (带箱体)	Battery Weight(With Box)	kg	1700	1900	1900
叉车重量 (含蓄电池)	Total Weight(With Battery)	kg	6450	6850	7225

载荷曲线图 Load curve



注:

竖轴表示承重量, 横轴表示载荷中心。载荷中心是从货叉正面计算起, 标准载荷的基点是指负荷边长为1000毫米的立方体中心位置。当门架前倾、使用非标准货叉或装载超过正常宽度的负荷时, 将会使承重量减少。通过负荷曲线图, 能及时地了解各种载荷中心时的承重量。 Notice: Vertical axle stands for load capacity while horizontal axle stands for load center. Load center is the distance counted from the front of the fork. The base point of the standard load is the center point of the cubic with the same 1000mm dimension in length, width and height. The load capacity should be down, if mask tilts forward, using non-standard forks or loading goods with extra width. Please notice the different load capacity between different load centers



标准配置

- 宽视野基本型门架
- 标准货叉
- II (III) 级货叉架
- 挡货架
- 两片多路阀
- 蓄电池组
- 标准座椅

- 护顶架
- 护顶架防雨罩
- 液晶组合仪表
- 实心轮胎
- 牵引销
- 随车工具

选用装置和附件

- 串杆
- 吊钩
- 起重臂
- 倾翻叉
- 后视镜
- 侧移器
- 纸卷夹
- 警示灯
- 后工作灯
- 驾驶室
- 挡风玻璃
- 多用桶夹
- 载荷稳定器
- 加宽货叉架
- 加长货叉
- 载荷推出器
- 货叉加长套
- 旋转平抱夹
- 辅助液压阀组件
- 倾斜/转向缸护套
- 着色轮胎
- 用户可指定颜色

STANDARD FEATURES

- Mask with wide view
- Standard fork
- II (III) fork holder
- Fork bracket
- Control valve
- Battery group
- Standard seat
- Overhead guide
- Overhead guide raincoat
- LCD compound displayer
- Solid tyre
- Traction bar
- Relevant tools

OPTIONS AND ATTACHMENTS

- Boom
- Load hawk
- Load bar
- Turning fork
- Back view mirror
- Side shifter
- Paper roll clamp
- Alarm lamp
- Rear work light
- Cab
- Windshield
- Multi function barrel clamp
- Load stabilizer
- Widened fork holder
- Lengthened fork
- Load pusher
- Sleeve on fork
- Rotating flat clamp
- Accessory hydraulic component
- Tilt/Steering cylinder protection sleeve
- Colored tyer
- Wide view triplex mast with full free length
- Customer referred color

HELI



Phone : 0800 538 735 Web : www.centralgroup.co.nz



交流电机驱动

驱动单元由18kw的交流电机与紧凑的驱动桥连成一体,具有优越的加速、行驶和爬坡性能。

动力转向

动力转向系统,转向灵活,操纵方便。

高效

该系列电动叉车在设计上采用了性能优异的串励直流起升电机,有效地提高了整车空载起升速度,提高了整车作业效率。

低噪

该系列电动叉车整车采用新型集成式负荷传感转向器,采用性能优异的低速直流起升电机和低噪声齿轮油泵,降低了整车的行驶噪声和低速起升噪声,更具环保性能。

方便的液晶仪表

性能可靠的液晶仪表将整车运行状、故障检测等重要信息完整地显示在大屏幕液晶屏上,让操作者更直观、动态地了解叉车信息。

安全

该系列电动叉车从整车安全出发,除应有各种保护电机、电控机制外,还具有多种其它保护功能,如操作顺序不当保护、座椅断电保护、行驶制动转向保持等功能,该系列车型符合欧盟CE安全认证。

AC-MOTOR FRONT WHEEL DRIVE

Integrated drive unit is composed of AC drive motor of 18kw and compact drive axle in construction, having optimum acceleration and climbing capabilities.

POWER-STEERING SYSTEM

With power steering assembly, the driver can easily operate for turning.

HIGH EFFICIENCY

The series is adopted an excellent performance DC serials motor in design, which increases the lifting speed of no load, enhances productivity of the truck.

LOW NOISE

The series is adopted a new type of integrated steering unit with the load sensing. This series is adopted the excellent performance DC motors and the low noise pumps, it is remarkably decrease noise of the driving and action of low speed lift, and the truck is more green to environment.

USER-FRIENDLY LCD INSTRUMENTS

All the running states of the truck and trouble shooting message can be totally expressed in the form of relevant icons and displayed in the big-size LCD. It makes you get to know the relevant message more easily and dynamically.

SAFETY

Except function of the truck's motor and electric controller should be protected, the series yet has many other protection measures, such as function of preventing abnormity operating, seat power shut-down function, and the steering function being hold while traveling and brake pedal being pressed etc. This series conforms to the relevant EU Guideline CE for industrial trucks.

G系列交流蓄电池叉车特点:

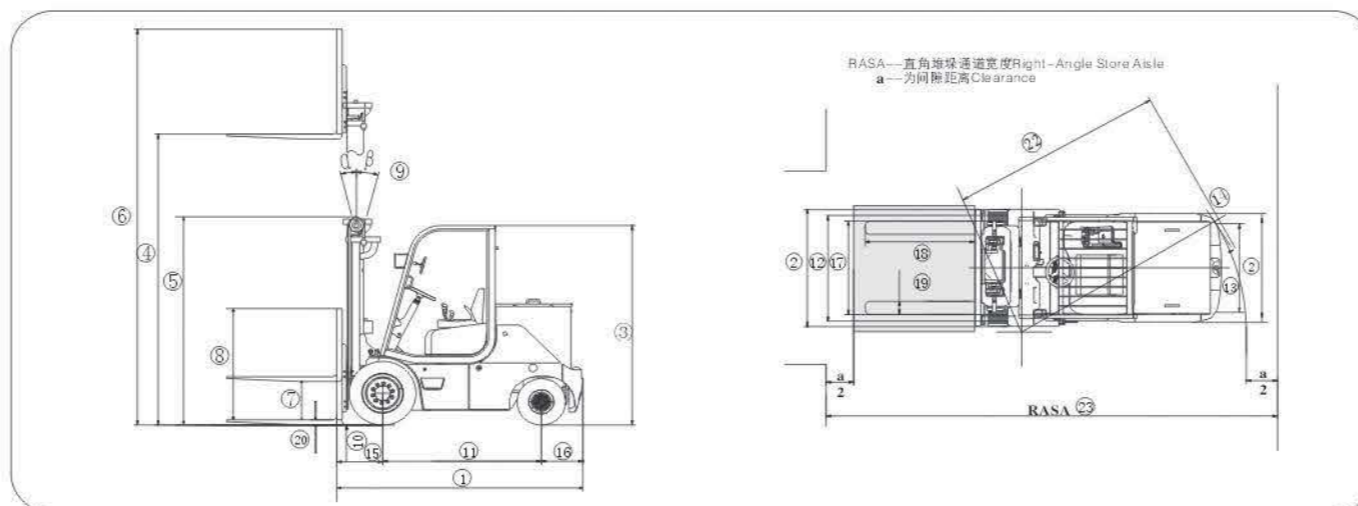
- 交流电机驱动
- 油冷盘式制动器
- 交流行走电控
- CAN总线技术
- 交互式多功能液晶仪表
- 坡道停车自动制动功能
- 新型低转速大扭矩直流串励起升电机
- 性能优异MOSFET起升电控
- 新型叉分齿技术低噪声齿轮油泵
- 新型液压动态负荷传感技术
- 主回路紧急断电功能
- 电控自我保护功能
- 行驶速度选择功能
- 操作顺序保护功能

THE FEATURES OF AC ELECTRIC FORKLIFT TRUCKS

- AC drive motor.
- Wet-disc braking system
- AC traction controller.
- Standard CAN BUS.
- Interactive communication multifunction LCD meter.
- Self-braking on ramp.
- New type of lower speed and bigger torque DC serial lifting motor.
- Excellent performance MOSFET lifting controller.
- New type of low noise pump which is adopted the splitting-teeth technology.
- New technology of dynamic signal load sensing in hydraulic system.
- Emergence power shut-down.
- Electric controller self-protecting.
- Two travel speed modes (normal/cutback) for choosing.
- Preventing abnormity operating.

技术参数 (前轮单胎, 宽视野基本型门架) DIMENSION(FRONT SINGLE TIRE, WITH WIDE VIEW MAST)

型号	Model	CPD40	CPD45	CPD50
配置号	Configuration No.	B2	B2	B2
单位	Unit	mm	mm	mm
①全长 (不带货叉)	Overall length(without forks)	2750	2750	2750
②全宽	Overall width	1350/1250	1350/1250	1394/1320
③全高 (护顶架)	Overall height(overhead guard)	2290	2290	2285
④最大起升高度	Max Lifting height	3000	3000	3000
⑤货叉落地时全高 (门架垂直时)	Overall height fork lowered(upright)	2375	2375	2370
⑥货叉起升时全高 (带挡货架)	Overall height fork raised(with backrest)	4210	4210	4205
⑦自由起升高度	Free lift	90	90	90
⑧挡货架高 (门架货叉面算起)	Backrest height(from upper face of forks)	1210	1210	1210
⑨ α/β 门架倾角	Tilting angles(forward/backward)	5° /10°	5° /10°	5° /10°
⑩门架离地间隙 (满载)	Mast under-clearance(With load)	140	140	135
⑪轴距	Wheel base	1800	1800	1800
⑫前轮距	Tread(front)	1120	1120	1158
⑬后轮距	Tread(rear)	990	990	990
⑭外转弯半径	Outside turning radius	2520	2520	2520
⑮前悬距	Front overhang	500	500	500
⑯后悬距	Rear overhang	450	450	450
⑰货叉调节范围 (货叉外侧)	Lateral fork adjustment(Outside of fork)	300~1296	300~1296	300~1296
⑱货叉长度	Fork length	1070	1070	1070
⑲货叉宽度	Fork width	150	150	150
⑳货叉厚度	Fork thickness	55	55	55
㉑牵引销高	Coupler height	450	450	450
㉒最小直角通道宽度	Min.intersecting aisle(Clearance 200m)	2655	2655	2680
㉓RASA最小直角堆垛通道宽度 (托盘1000mmx1000mm, 间隙200mm) Min.Right Angle Stacking Aisle Width(Pallet size:1000mmx1000mm,Clearance200mm)		4290	4290	4290
㉔RASA最小直角堆垛通道宽度 (托盘1200mmx1200mm, 间隙200mm) Min.Right Angle Stacking Aisle Width(Pallet size:1200mmx1200mm,Clearance200mm)		4420	4420	4420



宽视野基本型门架 WIDE VIEW MAST

门架型号 Mast model	最大起升高度 Max. fork Height(mm)	承载能力Load Capacity (载荷中心Load centre 500mm) (kg)			门架落地全高 Overall height(mm)		门架倾角 (前/后) Tilt angle(F/B) (°)
		CPD40	CPD45	CPD50	CPD40-45	CPD50	
KM300	3000	4000	4500	5000	2375	2370	5/10
KM330	3300	4000	4500	5000	2525	2520	5/10
KM350	3500	4000	4500	4800	2625	2620	5/10
KM370	3700	4000	4375	4625	2725	2720	5/10
KM375	3750	4000	4360	4610	2850	2845	5/10
KM400	4000	4000	4300	4550	2975	2970	5/10
KM425	4250	3900	4200	4450	3100	3095	5/10
KM450	4500	3800	4100	4300	3225	3220	5/10
KM475	4750	3750	4000	4200	3350	3345	5/10
KM500	5000	3650	3900	4100	3475	3470	5/10
KM550	5500	3500	3750	3950	3545	3540	5/7
KM600	6000	3200	3350	3800	3795	3790	3/5

宽视野三级全自由门架 WIDE VIEW FULL FREE 3-STAGE MAST

门架型号 Mast model	最大起升高度 Max. fork Height(mm)	承载能力Load Capacity (载荷 中心Load centre 500mm) (kg)			门架落地全高 Overall height(mm)		自由起升高度 (带挡货架) (mm) Free lift(With STD backrest)		门架倾角 (前/后) Tilt angle(F/B) (°)
		CPD40	CPD45	CPD50	CPD40~45	CPD50	CPD40~45	CPD50	
KZSM360	3600	3850	4150	4500	2060	2055	1290	1290	5/7
KZSM400	4000	3750	4050	4400	2195	2190	1420	1420	5/7
KZSM435	4350	3610	3910	4310	2310	2305	1540	1540	5/7
KZSM450	4500	3550	3850	4250	2360	2355	1590	1590	5/7
KZSM470	4700	3490	3790	4170	2425	2420	1660	1660	5/7
KZSM480	4800	3460	3760	4130	2460	2455	1690	1690	5/7
KZSM500	5000	3400	3700	4050	2575	2570	1760	1760	5/7
KZSM550	5500	3250	3550	3900	2795	2790	1920	1920	3/5
KZSM600	6000	2900	3100	3500	2960	2955	2090	2090	3/5

*本公司保留更改产品设计和规格的权利,恕不另行通知。

* Details of specifications and equipment are based on information available at the time of printing and may change without notice.