

# BestNeb

User's Manual

Care for a Healthy Life





# CONTENTS

<b>COMPRESSOR NEBULIZER</b> USER'S MANUAL	1
<b>COMPRESSOR NEBULIZADOR</b> MANUAL DE INSTRUCCIONES	13
<b>COMPRESSOR NEBULIZADOR</b> INSTRUÇÕES DE UTILIZAÇÃO	27
<b>COMPRESSEUR NÉBULISATEUR</b> INSTRUCTIONS D'UTILISATION	41
<b>KOMPRESSOR MIT VERNEBLEREINHEIT</b> GEBRAUCHSANLEITUNG	55

MODEL NO.: AP-100200

Please read the manual before use

# IMPORTANT SAFEGUARDS

READ ALL INSTRUCTIONS BEFORE OPERATING THIS DEVICE.

**DANGER** – To reduce the risk of electrocution:

1. Always unplug this product immediately after using.
2. Do not use while bathing.
3. Do not place or store this product where it can fall or be pulled into a tub or sink.
4. Do not place in or drop into water or other liquid.
5. Do not reach for a product that has fallen into water. Unplug immediately.

**WARNING** – To reduce the risk of burns, electrocution, fire, or injury to persons:

1. This product should never be left unattended when plugged in.
2. Close supervision is necessary when this product is used by, on or near children or invalids. Choking accident may result from a child swallowing a small part that has become detached from the device or its accessories.
3. Use this product only for its intended use as described in this manual. Use this product only under doctor's direction. Do not use attachments not recommended by the manufacturer.
4. Never operate this product if a) it has a damaged cord or plug, b) it is not working properly, c) it has been dropped or damaged, d) it has been dropped into water. Return the product to a specified service center for examination and repair.
5. Keep the cord away from heated surfaces.
6. Never block the air openings of this product or allow objects to fall or be inserted into the air vent openings or place it on a soft surface such as bed or couch, where the air openings may be blocked.
7. Never use while sleeping or feeling drowsy.
8. Never drop or insert any object into any opening or hose.
9. Do not use in outdoors or operate where aerosol (spray) products are being used or where oxygen is being administered in a closed environment such as an oxygen reservoir.
10. Only connect this device to socket with earth connection.
11. Potential allergic reactions to accessible materials used in the Compressor Nebulizer equipment. If any signs of allergic reaction or hypersensitivity happen, stop the treatment immediately, and notify the doctor or nurse.
12. Potential contact injuries for patients used in the Compressor Nebulizer equipment. If any contact injuries happen, stop the treatment, and notify the doctor or nurse
13. If there is a possibility of electro-magnetic interference with mobile phones, please increase the distance (3.3m) between devices or turn off the mobile phone.
14. Do not leave long lengths of air tubing around the top of your bed. It could twist around your head or neck while you are sleeping and lead to strangulation.

**NOTE, CAUTION, SYMBOLS AND WARNING STATEMENTS:**

**NOTE -** Indicates information that user should pay special attention to.

**CAUTION -** Indicates correct operating or maintenance procedures in order to prevent damage to or destruction of the equipment or other property.

**WARNING -** Calls attention to a potential danger that requires correct procedures or practices in order to prevent personal injury.

**SYMBOLS**

Authorised representative in the European community



Manufacturer



Off, disconnection from the mains



On, connection to the mains

**IP21**

Protected against solid foreign objects of 12,5 mm and greater; Protection against vertically falling water drops ( Only for 230V System)



Alternating current



Temperature Limitation



**CAUTION** should be used to highlight the fact that there are specific warnings or precautions associated with the device



"BF" symbol, indicate this product is according to the degree of protecting against electric shock for type BF equipment



Class II



Consult operating instructions for use.



Consult instructions for use




Disposal of Electrical & Electronic Equipment (WEEE):

This product should be handed over to an applicable collection point for the recycling of electrical and electronic equipment. For more detailed information about the recycling of this product, please contact your local city office, household waste disposal service or the retail store where you purchased this product.

# 1. Introduction


## 1.1 Intended Use

The BestNeb Compressor Nebulizer System is intended to provide a source of compressed air for aerosol therapy. It is used in conjunction with a jet (pneumatic) nebulizer to produce medicated aerosols for inhalation by pediatric and adult patients with respiratory symptoms.


 **CAUTION** - Indications for therapy include asthma, chronic bronchitis, infection of the upper respiratory tract, chronic obstructive pulmonary disease and other respiratory disorders in accordance with a medical doctor's prescription. Except the usage mentioned above, please do not use this product for any other purpose. This device can be used with adults or pediatric patients under physician's prescription.

## 1.2 Safety Precaution Instruction

When using this electrical product, especially when children are present, one should always follow basic safety precautions. Do not install, maintain or operate this equipment without reading, understanding and following the proper BestNeb Compressor System instruction manual, otherwise injury or damage may result. Important information is highlighted by using the following bulletin:

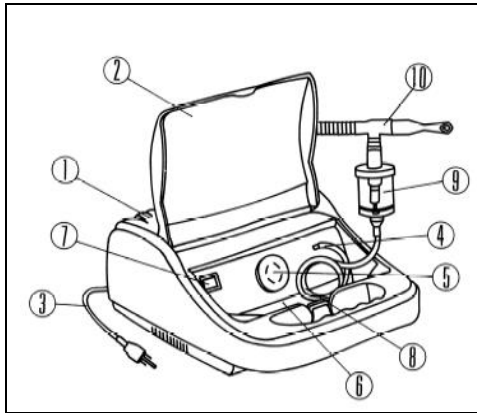
 **DANGER** - Urgent safety information for hazards that will cause serious injury or death.

 **WARNING** - Important safety information for hazards that might cause serious injury or property damage.

 **CAUTION** - Information for preventing damage to the product.

## 2. Product Description

1. Unit Case
2. Storage Lid
3. Power Cord
4. Air Outlet Connector
5. Filter Cap (disposable filter inside)
6. Storage Compartment
7. Power Switch(Green light)
8. Tubing
9. Nebulizer Cup
10. Mouthpiece



## 3. Operation

### 3.1 Daily Use Operation

**CAUTION** - The BestNeb Compressor is designed for intermittent use only. Do not operate it continuously for more than 30 minutes for a single use without turning it off and following a cooling period for least 30 minutes.

1. Before each use inspect the BestNeb Compressor and nebulizer cup assembly for damage or wear, replace as needed.
2. Place the BestNeb Compressor on a table or other flat stable surface. Be sure you can easily reach the controls when seated. Do not use this device on the floor.
3. With the power switch in the 0 (OFF) position, plug the power cord into an appropriate electrical wall outlet.
4. Connect one end of the tubing to the compressor air-outlet connector.
5. Assemble the nebulizer cup and add indicated medication to the nebulizer's cup before use.
6. Attach the other end of the tubing into the air-inlet connector founded at the bottom of the nebulizer cup.
7. Turn on the BestNeb Compressor by pressing the power switch to the I (ON) position and begin treatment.
8. If treatment needs to be interrupted, simply press power switch to 0 (OFF) position.
9. When the treatment is complete, turn off the compressor by pressing the power switch to 0 (OFF) position and unplug the unit from the electrical outlet



**WARNING** - Equipment not suitable for use in the presence of a flammable anesthetic mixture with air or with oxygen or nitrous oxide. This device has no AP or APG protection.

## 3.2 Safety Overload



**NOTE** - Do not exceed 30 minutes of continuous operation.

1. The motor of this device has a built-in thermal overload protector. Should the motor overheat, the protector will automatically shut off the motor. Should this occur, turn the I/O (ON/OFF) switch to the 0 (OFF) position and allow the motor to cool down for approximately 30 minutes before turn it on again.
2. If the overload protector shuts off the motor frequently, you may have an unstable voltage situation.
3. If the unit shuts down and cannot restart, it may need to be replaced. Call your provider immediately.

## 4. Cleaning

### 4.1 Compressor Outer Case Cleaning



**WARNING** - Electric shock hazard. Do not remove outer case of this unit. All disassembly and maintenance of this unit must be done by a qualified service technician. Refer servicing to qualified service personnel.



**WARNING** - This unit does not require oil. Do not attempt to lubricate any internal parts.



**WARNING** - Unplug unit before cleaning. Do not submerge in water for cleaning.

1. Wipe the main unit with a damp cloth every few days to keep it dust-free.
2. Do not use any powdered type cleaners or soap. Do not submerge the unit into water.

### 4.2. Nebulizer Cup Cleaning

All parts of the disposable nebulizer, except tubing, should be thoroughly cleaned after each use. If your doctor specifies a specific cleaning procedure, follow that procedure.



**WARNING** - To prevent possible risk of infection from contaminated medication, cleaning of the nebulizer is recommended after each treatment.

1. After each use, disassemble the nebulizer cup, tee and mouthpiece completely, wash all parts in warm soapy water and rinse thoroughly. Allow to air dry. Store in a clean dry location.



2. Once daily, after washing as above, soak nebulizer components in a fresh solution consisting of one part warm water and one part white vinegar for 30 minutes followed by a warm water rinse.



**NOTE** - The disposable nebulizer kit is for single patient use only.



**NOTE** - Please follow national requirements to dispose the unit properly.

## 5. Storage

Keep the unit and accessories dry. Avoid direct sunshine.

## 6. Maintenance

### 6.1 General Information

1. This unit is oil-less. Do Not Lubricate.
2. Risk of electric shock. Do not disassemble the main unit.
3. All maintenance must be performed by a qualified service personnel.

### 6.2 Filter Change



**NOTE** - Change the filter once every month or when filter turns gray.

1. Open the filter cap.
2. Remove dirty filter with a small, pointed object. Discard the filter.
3. Replace with a clean filter. Additional filters should be purchased from your provider.
4. Put the filter cap back.



**CAUTION** - Do not use cotton or any other material as a filter. Do not wash or reuse the filter. Do not operate the unit without a filter.

### 6.3 Fuse Change



**NOTE** - Use identical fuse with correct rating recommended by manufacturer.

1. Use a coin, unscrew the fuse cover in the bottom of the device.
2. Remove the fuse.
3. Insert new fuse with correct rating recommended by manufacturer.
4. Screw the fuse cover back into position.

## 7. Trouble Shooting

If your BestNeb Compressor Nebulizer fails to function, consult the Troubleshooting guide below. If the problem persists, consult your equipment provider.

Problem	Cause and Solution
Device doesn't operate.	<ul style="list-style-type: none"> <li>• Check if plug is properly fit into an appropriate electrical outlet.</li> <li>• When device has been run continuously for over 30 minutes right before using, an auto shut down may activate by built-in thermal protector, cool down device for 30 minutes before next usage.</li> <li>• Check if fuse is blown or not properly situated.</li> </ul>
Weak Nebulization.	<ul style="list-style-type: none"> <li>• Check if use wrong electrical voltage.</li> <li>• Check if tubing is blocked.</li> <li>• Check if medication cup is firmly attached to compressor. If there is still air leakage after re-connection, replace the tubing.</li> <li>• Check if medication cup or tubing is damaged. If there is any damage, replace a new one.</li> <li>• Check if nebulizer baffle is properly place in the medication cup.</li> <li>• Check if filter is too dirty and should be replaced.</li> </ul>

## 8. Technical specification

Electrical Rating (Note: Refer to the rating label on the product)	• 230VAC,60Hz,0.6A	• 230VAC,50Hz,0.6A
Maximum Compressor Pressure	≥ 35 psi	≥ 35 psi
Operating Flow Rate	≥ 5.5 lpm	≥ 5.0 lpm
Aerosol Output	≥ 1.8 ml	
Aerosol Output Rate	≥ 0.3 ml/min*	
Medicine cup capacity	Minimum 2ml - Maximum 6ml	
Particle size	0.5 - 5 microns*	
Classification	Class II IP21 BF equipment.	
Dimensions (W x D x H)	28.5 × 20.5 × 11.0 cm / 11.2" × 8.1" × 4.3"	
Weight	2.0 kg / 4.4 lb	
Fuse	T1.6A L250V for 230V system	
Sound Level	≤ 66 dBA at 1 meter distance ( Device only )	
Expected Service Life	3 Year	
Environment	Temperature	Operation: 10°C to 40°C / 50°F to 104°F
		Storage: -15°C to 50°C / 5°F to 122°F
		Transport: -15°C to 70°C / 5°F to 158°F
	Humidity	Operation: 10% to 90%RH non-condensing
		Storage: 10% to 90%RH non-condensing
		Transport: 10% to 90% RH non-condensing



**Note** - 1. \*Values are determined by supplier's nebulizer.

2. \*Consult distributor(s) or EU representative(s) for additional technical documents.

	IEC/EN 60601-1
	IEC/EN 60601-1-2
	IEC/EN 61000-3-2 Class A
	IEC/EN 61000-3-3
	CISPR 11 Group 1, Class B


## 9. Accessories

<u>Model</u>	<u>Discription</u>
668064-0000	Jet Nebulizer Set (Adult & Child Masks )
668024-0000	Jet Nebulizer Set (Mouthpiece)

## Appendix A: EMC Information

### Guidance and Manufacturer's Declaration- Electromagnetic Emissions:


This device is intended for use in the electromagnetic environment specified below. The user of this device should make sure it is used in such an environment.

Emissions Test	Compliance	Electromagnetic Environment-Guidance
RF emissions CISPR 11	Group1	The device uses RF energy only for its internal function. Therefore, its RF emissions are very low and are not likely to cause any interference in nearby electronic equipment
RF emissions CISPR 11	Class B	The device is suitable for use in all establishments, including domestic establishments and those directly connected to the public low-voltage power supply network
Harmonic emissions IEC61000-3-2	Class A	
Voltage fluctuations / Flicker emissions IEC61000-3-3	Complies	
 <b>Warning:</b> <ol style="list-style-type: none"> <li>1. The device should not be used adjacent to or stacked with other equipment. If adjacent or stacked use is necessary, the device should be observed to verify normal operation in the configuration in which it will be used.</li> <li>2. Use of accessories, transducers and cables other than those specified or provided by the manufacturer of this equipment could result in increased electromagnetic emissions or decreased electromagnetic immunity of this equipment and result in improper operation.</li> <li>3. Portable RF communications equipment (including peripherals such as antenna cables and external antennas) should be used no closer than 30 cm (12 inches) to any part of the Nebulizer, including cables specified by the manufacturer. Otherwise, degradation of the performance of this equipment could result.</li> </ol>		

## Guidance and Manufacturer's Declaration- Electromagnetic Immunity:

This device is intended for use in the electromagnetic environment specified below. The user of this device should make sure it is used in such an environment.

Immunity Test Levels				
Basic EMC standard	Professional healthcare facility environment	HOME HEALTHCARE ENVIRONMENT	Compliance Levels	Electromagnetic Environment-Guidance
Electrostatic Discharge (ESD) IEC61000-4-2	±8kV contact ±15kV air		±8kV contact ±15kV air	Floors should be wood, concrete or ceramic tile. If floors are covered with synthetic material, the relative humidity should be at least 30 %.
Electrical fast transient/ burst IEC61000-4-4	±2kV for power supply line ±1kV for input/output line		±2kV for power supply line ±1kV for input/output line	Mains power quality should be that of atypical commercial or hospital environment
Surge IEC61000-4-5	± 1 kV line(s) to line(s) ± 2 kV line(s) to earth	± 1 kV line(s) to line(s)	± 1 kV line(s) to line(s)	Mains power quality should be that of atypical commercial or hospital environment.
Voltage dips, short interruptions and voltage variations on power supply input lines IEC61000-4-11	Voltage Dips: i) 100% reduction for 0.5 period, ii) 100% reduction for 1 period, iii) 30% reduction for 25/30 period, Voltage Interruptions: 100% reduction for 250/300 period		230V	Mains power quality should be that of a typical commercial or hospital environment. If the user of this device requires continued operation during power mains interruptions, it is recommended that the device be powered from an uninterruptible power supply or a battery.
Power frequency (50/60Hz) magnetic field IEC61000-4-8	30 A/m	30 A/m	30 A/m	Power frequency magnetic fields should be at levels characteristic of a typical location in a typical commercial or hospital environment.
Conducted RF IEC 61000-4-6	3 Vrms 0,15 MHz – 80 MHz 6 Vrms in ISM bands between 0,15 MHz and 80 MHz 80 % AM at 1 kHz	3 Vrms 0,15 MHz – 80 MHz 6 Vrms in ISM and amateur radio bands between 0,15 MHz and 80 MHz 80 % AM at 1 kHz	6Vrms	Portable and mobile RF communications equipment should be used no closer to any part of this device, including cables, than there commended separation distance calculated from the equation applicable to the frequency of the transmitter.
Radiated RF EM Fields IEC61000-4-3	3 V/m 80 MHz to 2.7 GHz 80 % AM at 1 kHz	10 V/m 80 MHz to 2.7 GHz 80 % AM at 1 kHz	10V/m	Recommended separation distance $d = \sqrt{P}$ 150kHz to 80MHz $d = 0.6\sqrt{P}$ 80MHz to 800MHz $d = 1.2\sqrt{P}$ 800 MHz to 2.7GHz

	385-6000 MHz, 9-28V/m, 80% AM(1kHz) pulse mode and other modulation	385-6000 MHz, 9-28V/m, 80% AM(1kHz) pulse mode and other modulation	<p>Where P is the maximum output power rating of the transmitter in watts (W) according to the transmitter manufacturer and d is the recommended separation distance in meters (m).<sup>d</sup></p> <p>Field strengths from fixed RF transmitters, as determined by an electromagnetic site survey,<sup>a</sup> should be less than the compliance level in each frequency range.</p> <p>Interference may occur in the vicinity of equipment marked with the following symbol:</p> 
<p><b>NOTE 1:</b> <math>U_T</math> is the a.c. mains voltage prior to the application of the test level</p> <p><b>NOTE 2:</b> At 80 MHz and 800 MHz, the higher frequency range applies.</p> <p><b>NOTE 3:</b> These guidelines may not apply in all situations. Electromagnetic propagation is affected by absorption and reflection from structures, objects and people</p>			
<p>a) Field strengths from fixed transmitters, such as base stations for radio (cellular/cordless) telephones and land mobile radios, amateur radio, AM and FM radio broadcast and TV broadcast cannot be predicted theoretically with accuracy. To assess the electromagnetic environment due to fixed RF transmitters, an electromagnetic site survey should be considered. If the measured field strength in the location in which the device is used exceeds the applicable RF compliance level above, the device should be observed to verify normal operation. If abnormal performance is observed, additional measures may be necessary, such as reorienting or relocating the device.</p> <p>b) Over the frequency range 150 kHz to 80 MHz, field strengths should be less than 10 V/m.</p>			

### Recommended separation distances between portable and mobile RF communications equipment and this device:

This device is intended for use in an electromagnetic environment in which radiated RF disturbances are controlled. The customer or the user of this device can help prevent electromagnetic interference by maintaining a minimum distance between portable and mobile RF communications equipment (transmitters) and this device as recommended below, according to the maximum output power of the communications equipment

Rated maximum output power of transmitter W	150 kHz to 80 MHz $d = \sqrt{P}$	80 MHz to 800 MHz $d = 0.6\sqrt{P}$	800 MHz to 2.7 GHz $d = 1.2\sqrt{P}$
0.01	0.1	0.06	0.12
0.1	0.31	0.19	0.38
1	1	0.6	1.2
10	3.1	1.9	3.8
100	10	6	12

For transmitters rated at a maximum output power not listed above, the recommended separation distance  $d$  in meters (m) can be estimated using the equation applicable to the frequency of the transmitter, where  $P$  is the maximum output power rating of the transmitter in watts (W) according to the transmitter manufacturer.

**Note 1:** At 80 MHz and 800 MHz, the separation distance for the higher frequency range applies.

**Note 2:** These guidelines may not apply in all situations. Electromagnetic propagation is affected by absorption and reflection from structures, objects, and people.

# MEDIDAS DE SEGURIDAD IMPORTANTES

## GUARDE ESTAS INSTRUCCIONES

### LEA TODAS LAS INSTRUCCIONES ANTES DEL USO

**PRECAUCIÓN** - La ley federal de EE UU restringe la venta de este dispositivo a los profesionales médicos o bajo prescripción facultativa

**PELIGRO** - Para reducir el riesgo de descarga eléctrica:

1. Desconecte el equipo inmediatamente después de usarlo.
2. No lo utilice en el baño o en la ducha, ni cerca de tomas de agua de cualquier tipo.
3. No coloque ni almacene el equipo en lugares desde los que pueda caer (sobre todo al agua).
4. No lo sumerja en agua u otro líquido.
5. No intente recoger el equipo si se ha caído al agua. Desconéctelo inmediatamente.

**ADVERTENCIA** - Para reducir el riesgo de quemaduras, descarga eléctrica, fuego o daños personales:

1. Una vez conectado, no deje nunca el equipo sin atención.
2. Es necesario vigilar cuidadosamente cuando este producto es utilizado por, sobre o cerca de niños y minusválidos. Pueden suceder accidentes de ahogamiento de un niño por consecuencia de tragar una pequeña parte que se halla desprendido del aparato o de los accesorios.
3. Utilícelo sólo para el uso indicado descrito en este manual y siempre bajo control médico. No utilice accesorios no recomendados por el fabricante.
4. No haga funcionar el equipo si, a) tiene un cable o enchufe estropeados, b) no funciona normalmente, c) se ha caído o dañado, d) ha entrado en contacto con agua o líquidos. Ante cualquiera de estas situaciones, llévelo a un centro de servicio autorizado para su revisión y reparación.
5. Mantenga el cable de red apartado de cualquier fuente de calor.
6. No bloquee las entradas o salidas de aire del equipo ni deje que entren en ellas objetos extraños. Tampoco coloque el equipo sobre superficies mullidas como camas o sillones, ya que podrían bloquearlas igualmente.
7. No utilice el equipo mientras duerme.
8. No introduzca ni deje entrar objetos extraños en las entradas o salidas de aire ni en los tubos.
9. No utilice el equipo en el exterior, ni donde se estén usando productos de aerosol (spray), ni donde se esté administrando oxígeno en circuitos cerrados como cámaras de oxígeno.
10. Conecte el equipo solamente a enchufes con toma de tierra.
11. Se pueden producir reacciones alérgicas debido a los materiales utilizado en el equipo del Nebulizador. Si se produjeran síntomas de reacciones alérgicas o de hipersensibilidad, interrumpir inmediatamente el tratamiento y comunicarlo al médico o la enfermera.
12. Posibles lesiones de contacto para los pacientes que usen el equipo Nebulizador Compresor. Si las lesiones de contacto suceden, suspender el tratamiento, y notificar al médico o enfermera.
13. Si existe la posibilidad de interferencia electromagnética con los teléfonos móviles, por favor aumentar la distancia (3,3 m) entre los dispositivos o apagar el teléfono móvil.
14. No deje largos tramos de la manguera de aire alrededor de la parte superior de la cama. Se podría enrollar alrededor de su cabeza o cuello mientras duerme y puede producir una estrangulación.



**SIGNIFICADO DE LAS LLAMADAS DE ADVERTENCIA NOTA, PRECAUCION Y AVISO:**

**NOTA** - Indica información a la que deberá prestar una atención especial.

**PRECAUCION** - Indica los procedimientos necesarios para un correcto funcionamiento y mantenimiento con el fin de evitar daños o destrucción al equipo o a otras propiedades.

**AVISO** - Llama la atención sobre peligros potenciales que requieren procedimientos o prácticas correctas con el fin de evitar daños personales

## SÍMBOLOS



Representante autorizado en la Comunidad Europea.



Fabricante



Off, Apagado



On, Encendido

**IP21**

Proteger contra objetos solidos extraños de 12,5 mm y más grandes; Proteger contra las gotas de agua que caen en dirección verticalmente



Corriente Alterna



Limitación de la temperatura



**PRECAUCIÓN** se debe usar para resaltar el hecho de que hay advertencias o precauciones específicas asociadas al dispositivo



Símbolo "BF", indica que este producto cumple el grado de protección contra la descarga eléctrica para equipos de tipo BF



Clase II



Consulte el manual de instrucciones / folleto.



Consult instructions for use



**Reciclaje de equipamiento Eléctrico y Electrónico (WEEE):**

Este producto debe ser entregado en un centro de recolección de reciclaje de equipos eléctricos y electrónicos. Para una información más detallada sobre el reciclaje de este producto, por favor contacte con su oficina de reciclaje local de su ayuntamiento, servicio de recogida a domicilio o el lugar donde adquirió el equipo.

# 1. INTRODUCCIÓN

## 1.1 Uso Indicado

El Compresor Nebulizador BestNeb ha sido diseñado para producir una fuente de aire comprimido de aplicación en aerosolterapia domiciliaria. El compresor se utiliza en combinación con un nebulizador de tipo jet para convertir ciertos medicamentos en una forma de aerosol inhalable por el paciente.

**PRECAUCION** - Las indicaciones terapéuticas incluyen asma, bronquitis crónica, infección de las vías respiratorias superiores, enfermedades pulmonares obstructivas crónicas y otros desórdenes respiratorios de acuerdo con la prescripción médica. No utilice este equipo para otras aplicaciones que no sean las mencionadas anteriormente. Este equipo puede ser utilizado por adultos y niños siempre bajo control médico.

## 1.2 Medidas de Seguridad

Al usar este equipo eléctrico, especialmente en presencia de niños, deberán tomarse siempre unas medidas de seguridad básicas. No instale ni opere el equipo sin antes haber leído este manual de instrucciones. De no hacerlo así, podrían producirse daños y perjuicios. Las siguientes llamadas de advertencia sirven para avisar de situaciones de emergencia que es preciso tener en cuenta:

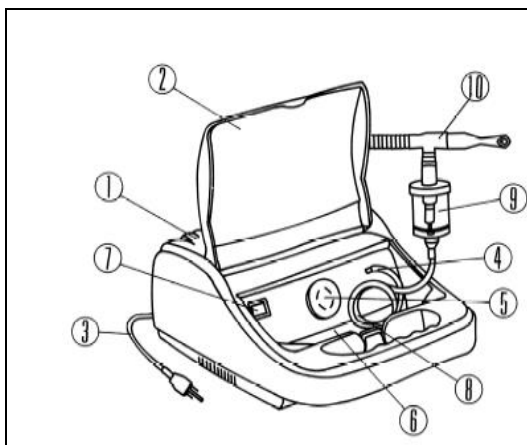
**PELIGRO** - Información de seguridad contra peligros causantes de daños personales.

**AVISO** - Información de seguridad contra peligros causantes de daños serios o daños en la propiedad.

**PRECAUCION** - Información para evitar daños al equipo.

## 2. DESCRIPCIÓN DEL EQUIPO


1. Caja de unidad.
2. Tapa de almacenamiento.
3. Cable de red
4. Tubo conector
5. Tapa de filtro (filtro desechable en el interior)
6. Compartimiento de almacenaje
7. Interruptor(luz verde)
8. Tubos
9. Receptáculo del medicamento (nebulizador).
10. Boquilla




## 3. Funcionamiento

**NOTA** - Antes de su puesta en marcha, deberá limpiar su BestNeb siguiendo las instrucciones descritas en la sección "Limpieza".

**AVISO** - Antes de conectar el cable de red, asegúrese de que el interruptor está en la posición de apagado 0 (OFF).

 El aparato también está provisto de un enchufe de conexión a la red eléctrica.

### 3.1 Funcionamiento Diario

 **PRECAUCION** - Este equipo está diseñado para uso intermitente únicamente. Aunque el tratamiento habitual suele ser de 15 minutos, apague el equipo después de usarlo como máximo durante 30 minutos y déjelo enfriar durante otros 30 antes de volver a encenderlo.

1. Una vez desembalado el equipo, compruebe que no tiene daños o defectos.
2. Compruebe que los accesorios están completos y que no tienen daños.
3. Coloque el equipo sobre una mesa o cualquier otra superficie estable. Asegúrese de que puede acceder a los controles estando sentado. No utilice este equipo en el suelo.
4. Manteniendo el interruptor en la posición de apagado 0 (OFF), enchufe el cable de red en una toma eléctrica apropiada.
5. Conecte un extremo del tubo de conducción a la salida de aire del compresor.
6. Monte las piezas del nebulizador con el baffle hacia abajo en el receptáculo del medicamento.
7. Vierta el medicamento y cierre la tapa del nebulizador.
8. Encienda el compresor presionando el interruptor y llevándolo a la posición I (ON).

9. Si por cualquier motivo necesita parar el tratamiento, apague el compresor llevando el interruptor a la posición 0 (OFF).



**NOTA** - Este apartado no es susceptible de ser utilizado en la presencia de una mezcla anestésica inflamable con aire, oxígeno u óxido nítrico. Este aparato no es susceptible de protección AP o APG

### 3.2 Seguridad contra Sobrecarga



**NOTA** - Funcionamiento continuo máximo durante 30 minutos

1. El motor de este equipo tiene un protector térmico de sobrecarga. Si el motor alcanza mucha temperatura, el protector lo apaga automáticamente. En caso de que esto ocurra, presione el interruptor y llévelo a la posición 0 (OFF), dejando que el motor se enfríe durante 30 minutos antes de encenderlo de nuevo
2. Si el protector de sobrecarga apaga el motor frecuentemente, ello puede deberse a que la tensión de red no es estable.
3. Si el equipo se apaga y no se puede volver a poner en marcha, puede que su equipo necesite ser sustituido. Contacte inmediatamente con su proveedor. Una vez desembalado el equipo, compruebe que no tiene daños o defectos.

## 4. Limpieza

### 4.1 Limpieza de la Carcasa Exterior

**AVISO** - Peligro de descarga eléctrica. No abra el equipo. Todo desmontaje y mantenimiento de este equipo deberá ser hecho por un servicio técnico autorizado. Diríjase siempre al personal de dicho servicio técnico.

**AVISO** - Este equipo no necesita engrase. No intente lubricar ninguna parte interior.

**AVISO** - Desconecte el equipo de la red antes de limpiarlo. No lo meta en agua  
**NOTA** - Funcionamiento continuo máximo durante 30 minutos

1. Para mantener la carcasa del equipo libre de polvo, límpiela con frecuencia utilizando un paño ligeramente húmedo.
2. No utilice ningún tipo de limpiadores en polvo ni jabón. No lo meta en agua.

### 4.2 Limpieza del Nebulizador Desechable

Todas las piezas del nebulizador desechable, excepto el tubo de conducción, deberán limpiarse profundamente después de cada uso. Si su médico le indica algún procedimiento de limpieza específico, sígalo en todo momento.

**AVISO** - Para evitar cualquier posible riesgo de contaminación, se recomienda limpiar el nebulizador después de cada uso

1. Para mantener la carcasa del equipo libre de polvo, límpiela con frecuencia utilizando un p1. Desmonte y lave todas las piezas del nebulizador desechable, excepto el tubo de conducción, en agua caliente con un limpiador tipo lavavajillas sin componente de limón.
2. Una vez al día, y tras su limpieza según las instrucciones de arriba, empape los componentes del nebulizador en un solución compuesta por agua y vinagre durante 30 minutos. Después aclárelas profundamente con agua caliente y séquelas con aire caliente o a mano con un paño limpio sin hilos. Una vez secas, monte el nebulizador de nuevo y guárdelo para un próximo uso.



**NOTA** - El kit nebulizador desechable es para uso personal del paciente.



**NOTA** - Siga las normas nacionales para deshacerse del equipo.

## 5. Almacenaje

Guarde el equipo y sus accesorios en un lugar limpio y seco. No lo exponga a la luz solar.

## 6. Mantenimiento

### 6.1 Información General

1. Este equipo no necesita engrase. No lubricar.
2. Riesgo de descarga eléctrica. No desmonte el equipo.
3. Todo mantenimiento ha de ser hecho por personal de servicio técnico autorizado

### 6.2 Cambio del Filtro



**NOTA** - Cambie el filtro cada mes o cuando se haya vuelto de color gris

1. Abra la tapa del filtro situada bajo el asa.
2. Quite el filtro sucio con ayuda de un objeto punzante pequeño.
3. Ponga un filtro limpio. Los filtros de repuesto deberán adquirirse a su proveedor habitual.
4. Vuelva a poner la tapa del filtro.



**PRECAUCION** - No utilice algodón o ningún otro material como filtro. No lave ni vuelva a usar el filtro utilizado. No use el equipo sin filtro.

### 6.3 Cambio del Fusible



**NOTA** - Utilice fusibles idénticos con el valor correcto recomendado por el fabricante.

1. Con una moneda, desenrosque la tapa del fusible situada en la base del equipo.
2. Quite el fusible fundido.
3. Ponga el fusible nuevo con el mismo valor recomendado por el fabricante.
4. Enrosque de nuevo la tapa del fusible.

## 7. Solución de problemas

Si su Compresor Nebulizador BestNeb falla, consulte la siguiente guía de Determinación de Fallos. En caso de que persista el problema, contacte con su proveedor.

Problema	Causa y Solución
El equipo no funciona	<ul style="list-style-type: none"> <li>• Compruebe que la clavija está correctamente conectada a una toma eléctrica apropiada.</li> <li>• Tras haber funcionado en continuo durante 30 minutos, el protector térmico activa el apagado automático. Deje enfriar el equipo durante otros 30 minutos antes de volver a ponerlo en marcha.</li> <li>• Compruebe el fusible (vea la sección de "Mantenimiento" para más detalles).</li> </ul>
Nebulización Débil	<ul style="list-style-type: none"> <li>• Compruebe que el voltaje eléctrico es el correcto.</li> <li>• Compruebe que el tubo de conducción no está bloqueado.</li> <li>• Compruebe que el nebulizador está firmemente conectado al compresor. Si tras conectarlo de nuevo aún hay pérdida de aire, cambie el tubo de conducción.</li> <li>• Compruebe que el nebulizador o el tubo no están dañados. Si lo están, cámbielos por otros nuevos.</li> <li>• Compruebe que el baffle está correctamente colocado en el nebulizador.</li> <li>• Compruebe si el filtro está muy sucio y hay que cambiarlo.</li> </ul>



## 8. Especificaciones


Régimen eléctrico (Nota: Consultar la etiqueta del producto)		• 230VAC,60Hz,0.6A	• 230VAC,50Hz,0.6A
Presión compresor máxima		≥ 35 psi	≥ 35 psi
Índice de fluencia de funcionamiento		≥ 5.5 lpm	≥ 5.0 lpm
Salida de Aerosol		≥ 1.8 ml	
Promedio de salida del Aerosol		≥ 0.3 ml/min*	
Capacidad de Copa Médica		Mínimo 2ml - Máximo 6ml	
Tamaño de Partícula		0.5 a 5 micras (µm)*	
Clasificación		Clase II IP21 Equipo BF	
Dimensiones		28.5 × 20.5 × 11.0 cm / 11.2" × 8.1" × 4.3"	
Peso		2.0 kg / 4.4 lb	
Fusible (ver nota 3)		T1.6AL 250V para sistema 230V	
Nivel de sonido		≤ 66 dBA ( único dispositivo )	
Vida útil esperada		3 Año	
Medio Ambiente	Temperatura	Funcionamiento: 10°C a 40°C / 50°F a 104°F	
		Almacenaje: -15°C a 50°C / 5°F a 122°F	
		Transporte: -15°C a 70°C / 5°F a 158°F	
	Humedad	Funcionamiento: HR 10% a 90% sin condensación	
		Almacenaje: HR 10% a 90% sin condensación	
		Transporte: HR 10% a 90% sin condensación	



**Notas** - 1. \* Valores determinados por el proveedor del nebulizador.

2. Consulte a su distribuidor o representante UE para obtener documentos técnicos adicionales.

Este producto ha sido testado y aprobado con los siguientes certificados:

	IEC/EN 60601-1
	IEC/EN 60601-1-2
	IEC/EN 61000-3-2 Class A
	IEC/EN 61000-3-3
	CISPR 11 Group 1, Class B

## 9. ACCESORIOS

<u>Modelo</u>	<u>Descripción</u>
668064-0000	Jet Nebulizador Set (Máscaras para adultos y niños)
668024-0000	Jet Nebulizador Set (boquilla)

## Apéndice a: información sobre emc

### Guía y Declaración del Fabricante - Emisiones Electromagnéticas:

Este dispositivo está diseñado para su uso en el entorno electromagnético especificado a continuación. El usuario del dispositivo deberá asegurarse de que sea utilizado en dicho entorno.

Prueba de emisiones	Homologación	Entorno electromagnético: guía
Emisiones RF CISPR 11	Grupo 1	El aparato utiliza energía RF solo para su funcionamiento interno. Por lo tanto, sus emisiones RF son muy bajas y no es probable que emitan interferencias en el equipo electrónico cercano.
Emisiones RF CISPR 11	Clase B	El dispositivo resulta adecuado para su uso en todas las instalaciones, incluidas las instalaciones domésticas y las que se encuentren conectadas directamente a la red pública de suministro eléctrico de baja tensión.
Emisiones de corriente armónica IEC61000-3-2	Clase A	
Fluctuaciones de tensión y parpadeo IEC61000-3-3	Cumple la norma	




Advertencia:

1. El dispositivo no debe ser utilizado adyacente o apilado con otro equipo. Si es necesario un uso adyacente o apilado, se debe observar el dispositivo para verificar el funcionamiento normal en la configuración en la que se utilizará.
2. La utilización de accesorios, transductores y cables distintos de los especificados o suministrados por el fabricante de este equipo podría resultar en un aumento de las emisiones electromagnéticas o una disminución de la inmunidad electromagnética de este equipo y resultar en un funcionamiento incorrecto.
3. Los equipos portátiles de comunicaciones de RF (incluidos los periféricos tales como cables de antena y antenas externas) deben utilizarse a no más de 30 cm (12 pulgadas) de cualquier parte del Nebulizador, incluidos los cables especificados por el fabricante. De lo contrario, podría producirse una degradación del rendimiento de este equipo.

## Guía y Declaración del Fabricante - Emisiones Electromagnéticas:

Este dispositivo está diseñado para su uso en el entorno electromagnético especificado a continuación. El usuario del dispositivo deberá asegurarse de que sea utilizado en dicho entorno.

Estándar básico EMC	Nivel de la Prueba de inmunidad		Nivel de la Homologación	Entorno electromagnético: guía
	Entorno profesional de los centros de salud	Entorno de salud en el hogar		
Descarga electrostática IEC61000-4-2	±8 kV en contacto ±15 kV en aire		±8 kV en contacto ±15 kV en aire	Los suelos deben ser de madera, hormigón o baldosas de cerámica. Si los suelos están cubiertos con material sintético, la humedad relativa debe ser del 30% como mínimo.
Perturbación transitoria eléctrica rápida/ráfaga IEC61000-4-4	±2 kV para línea de suministro eléctrico ±1 kV para línea de entrada/salida		±2 kV para línea de suministro eléctrico ±1 kV para línea de entrada/salida	La calidad de suministro de la red eléctrica debe ser la de un entorno comercial u hospitalario normal.
Sobretensión IEC61000-4-5	±1 kV en modo diferencial ±2 kV en modo común	±1 kV en modo diferencial	±1 kV en modo diferencial	La calidad de suministro de la red eléctrica debe ser la de un entorno comercial u hospitalario normal.
Caídas de tensión, interrupciones breves y variaciones de tensión en líneas de entrada de suministro eléctrico IEC61000-4-11	Tensión Dips: i) Reducción del 100% durante 0,5 período, ii) reducción del 100% para el período, iii) Reducción del 30% para el período 25/30, Interrupciones de voltaje: 100% de reducción para el período 250/300		230 V	La calidad de suministro de la red eléctrica debe ser la de un entorno comercial u hospitalario normal. Si el usuario del dispositivo precisa el funcionamiento continuado durante las interrupciones del suministro de la red eléctrica, se recomienda alimentar el dispositivo mediante un sistema de alimentación ininterrumpida (SAI) o una batería.
Campo magnético de la frecuencia de suministro (50/60 Hz) IEC61000-4-8	3 A/m	30 A/m	30 A/m	Los campos magnéticos de la frecuencia de suministro deben tener los niveles característicos de una ubicación normal en un entorno comercial u hospitalario normal.
Radiofrecuencia conducida IEC 61000-4-6	3 Vrms 0,15 MHz - 80 MHz 6 Vrms en bandas ISM Entre 0,15 MHz y 80 MHz 80% AM a 1 kHz	3 Vrms 0,15 MHz - 80 MHz 6 Vrms en ISM y bandas de radioaficionados entre 0,15 MHz y 80 MHz 80% AM a 1 kHz	6Vrms	Los equipos portátiles y móviles de comunicaciones por radiofrecuencia deben utilizarse alejados de todos los componentes del dispositivo, incluidos los cables, a la distancia de separación mínima recomendada calculada a partir de la ecuación aplicable a la frecuencia del transmisor.  Distancia de separación

Radiofrecuencia irradiada IEC 61000-4-3	3 V / m 80 MHz a 2.7 GHz 80% AM a 1 kHz  385-6000 MHz, 9-28V / m, 80% AM (1kHz) modo de pulso y otra modulación	10 V / m 80 MHz a 2.7 GHz 80% AM a 1 kHz  385-6000 MHz, 9-28V / m, 80% AM (1kHz) modo de pulso y otra modulación	10V/m	<p>recomendada:  <math>d = \sqrt{P}</math> de 150 kHz a 80 MHz  <math>d = 0.6\sqrt{P}</math> de 80 MHz a 800 MHz  <math>d = 1.2\sqrt{P}</math> de 800 MHz a 2.7 GHz</p> <p>Donde P es la potencia de salida nominal máxima del transmisor en vatios [W] según el fabricante del transmisor y d es la distancia de separación recomendada en metros (m)<sup>b</sup>.</p> <p>Las intensidades de los campos generados por transmisores de radiofrecuencia fijos, determinadas por un estudio electromagnético del emplazamiento,<sup>a</sup> deben ser inferiores al nivel de homologación de cada rango de frecuencias.</p> <p>Pueden producirse interferencias en las proximidades de equipos marcados con el siguiente símbolo:</p> 
--	--	---	-------	--

NOTA 1:  $U_T$  es la tensión de red de corriente alterna antes de la aplicación del nivel de la prueba.

NOTA 2: A 80 MHz y 800 MHz se aplica el rango de frecuencias más alto.

NOTA 3: Puede que estas pautas no sean aplicables en todas las situaciones. La propagación electromagnética se ve afectada por la absorción y la reflexión de estructuras, objetos y personas.

- a) Las intensidades de campo de los transmisores fijos, tales como estaciones base de radioteléfonos (móviles o inalámbricos) y radios móviles terrestres, equipos de radioaficionados, emisiones de radio AM y FM y emisiones de TV, no pueden predecirse teóricamente con exactitud. Para evaluar el entorno electromagnético debido a los transmisores de radiofrecuencia fijos, se debe considerar la posibilidad de realizar un estudio electromagnético del emplazamiento. Si la intensidad de campo medida en la ubicación en que se utiliza el dispositivo supera el correspondiente nivel de homologación de radiofrecuencia especificado anteriormente, el dispositivo deberá observarse para comprobar que funciona correctamente. Si se observa un funcionamiento anómalo, es posible que sea preciso tomar medidas adicionales, tales como cambiar la orientación o la ubicación del dispositivo.
- b) En el rango de frecuencias de 150 kHz a 80 MHz, las intensidades de campo deben ser inferiores a 10 V/m.

## Distancias de separación recomendadas entre los equipos portátiles y móviles de comunicaciones por radiofrecuencia y este dispositivo.

Este dispositivo está diseñado para su uso en un entorno electromagnético en que las alteraciones producidas por radiofrecuencias radiadas estén controladas. El cliente o el usuario del dispositivo pueden contribuir a evitar las interferencias electromagnéticas manteniendo la distancia mínima entre los equipos portátiles y móviles de comunicaciones por radiofrecuencia (transmisores) y el dispositivo recomendada a continuación, según la potencia de salida máxima de los equipos de comunicaciones.

Potencia de salida nominal máxima del transmisor W	Distancia de separación según la frecuencia del transmisor m		
	De 150 kHz a 80 MHz $d = \sqrt{P}$	De 80 MHz a 800 MHz $d = 0.6\sqrt{P}$	De 800 MHz a 2.7 GHz $d = 1.2\sqrt{P}$
0,01	0,1	0,06	0,12
0,1	0,31	0,19	0,38
1	1	0,6	1,2
10	3,1	1,9	3,8
100	10	6	12

En el caso de transmisores con una potencia de salida nominal máxima no especificada más arriba, la distancia de separación recomendada  $d$  en metros (m) puede calcularse utilizando la ecuación aplicable a la frecuencia del transmisor, donde  $P$  es la potencia de salida nominal máxima del transmisor en vatios (W) según el fabricante del transmisor.

**Nota 1:** A 80 MHz y 800 MHz se aplica la distancia de separación correspondiente al rango de frecuencias más alto.

**Nota 2:** Puede que estas pautas no sean aplicables en todas las situaciones. La propagación electromagnética se ve afectada por la absorción y la reflexión de estructuras, objetos y personas.

# GUARDE ESTAS INSTRUÇÕES

## LEIA TODAS AS INSTRUÇÕES ANTES DE USAR O APARELHO

**PRECAUÇÃO** – A lei federal dos EUA limita a venda deste dispositivo a profissionais de saúde ou mediante receita médica.

### PRECAUÇÕES IMPORTANTES

**PERIGO** – Para reduzir o risco de descarga eléctrica:

1. Desligue o aparelho imediatamente após o ter utilizado.
2. Não o utilize na banheira ou no chuveiro, nem perto de torneiras de água de qualquer tipo.
3. Não coloque nem armazene o aparelho em lugares dos quais possa cair (sobretudo à água).
4. Não o mergulhe em água ou em qualquer outro líquido.
5. Não tente apanhar o aparelho se este tiver caído à água. Desligue-o imediatamente

**AVISO** – Para reduzir o risco de queimaduras, descargas eléctricas, fogo ou danos pessoais:

1. Uma vez ligado, nunca deixe o aparelho sem atenção.
2. É necessário supervisão quando este produto é usado por, em ou perto de crianças ou inválidos. Acidentes por asfixia podem resultar de uma criança engolir uma pequena parte que se soltou do dispositivo ou dos seus acessórios..
3. Utilize o aparelho apenas para o uso indicado neste manual e sempre sob vigilância médica. Não utilize acessórios não recomendados pelo fabricante.
4. Não ponha o aparelho a funcionar se, a) tiver um cabo ou ficha danificados, b) não funcionar normalmente, c) se tiver caído ou sofrido qualquer dano, d) se tiver entrado em contacto com água ou outros líquidos. Em qualquer destas situações, leve-o a um centro de assistência técnica autorizado para revisão e reparação.
5. Mantenha o cabo de alimentação eléctrica afastado de qualquer fonte de calor.
6. Não bloqueie as entradas ou saídas de ar do aparelho nem deixe que entrem nelas objectos estranhos. Evite também colocar o aparelho sobre superfícies moles como camas ou sofás, já que também as poderiam bloquear.
7. Não utilize o aparelho durante o sono.
8. Não introduza nem deixe entrar objectos estranhos nas entradas ou saídas de ar nem nos tubos.
9. Não utilize o aparelho em exteriores, nem em locais em que se estejam a utilizar produtos de aerossol (sprays), ou em locais em que se esteja a administrar oxigénio em circuitos fechados como câmaras de oxigénio.
10. Este aparelho só deverá ser ligado a tomadas com ligação à terra.
11. Reações alérgicas potenciais a materiais acessíveis utilizados no equipamento Nebulizador Compressor. Se acontecerem quaisquer sinais de reação alérgica ou hipersensibilidade, pare o tratamento imediatamente, e notifique o médico ou enfermeiro
12. Lesões de contato potenciais para pacientes utilizadores do equipamento Nebulizador Compressor. Se acontecerem quaisquer lesões de contato, pare o tratamento, e notifique o médico ou enfermeiro

13. Se existir a possibilidade de interferência eletromagnética com telemóveis, aumente a distância (3.3m) entre os dispositivos ou desligue o telemóvel
14. Não deixe grandes comprimentos de tubagem de ar em torno do topo da sua cama. Pode enroscar-se na sua cabeça ou pescoço enquanto estiver a dormir e levar ao estrangulamento.

### **SIGNIFICADO DAS ADVERTÊNCIAS NOTA, PRECAUÇÃO E AVISO:**

**NOTA -** Indica informação a que deverá prestar especial atenção.

**PRECAUÇÃO -** Indica os procedimentos necessários para um correcto funcionamento e manutenção do aparelho, a fim de evitar danos ao aparelho ou a outros bens.

**AVISO -** Indica perigos potenciais que requerem procedimentos ou práticas correctas, a fim de evitar danos pessoais.

## Símbolos



Mandatário na comunidade Européia



Fabricante



Off, Ligado



On, Desligado

**IP21**

Protegido contra objetos sólidos estranhos de 12,5 mm e maiores; Proteção contra a queda vertical de gotas de água



Corrente Alterna



Limitação de Temperatura



Atenção deverá ser utilizado para assinalar o facto de que existem avisos ou precauções específicas associadas ao dispositivo.



Símbolo "BF", indica que este aparelho cumpre o grau de protecção contra descargas eléctricas para equipamentos de tipo BF.



Classe II



Consulte o manual/brochura de instruções.



Consulte las instrucciones de funcionamiento



Eliminação de Equipamento Eléctrico e Electrónico Usado (WEEE):

Este aparelho deverá ser colocado num ponto de recolha próprio para a reciclagem de equipamento eléctrico e electrónico. Para informação detalhada sobre a reciclagem deste aparelho, contacte a sua Câmara Municipal, o seu serviço de recolha de lixo ou a loja onde comprou o aparelho.



# 1. Introdução

Este manual deve ser utilizado para a montagem inicial do sistema e para futuras consultas.

## 1.1. Uso Indicado

O Compressor Nebulizador BestNeb foi criado para produzir uma fonte de ar comprimido de aplicação em aerossolterapia domiciliária. O compressor é utilizado em combinação com um nebulizador de tipo jacto para converter certos medicamentos numa forma de aerossol inalável pelo paciente.

**PRECAUÇÃO** - As indicações terapêuticas incluem asma, bronquite crónica, infecção das vias respiratórias superiores, doenças pulmonares obstrutivas crónicas e outras desordens respiratórias, de acordo com as indicações do médico. Não utilize este aparelho para outras aplicações além das mencionadas anteriormente. Este aparelho pode ser utilizado por adultos e crianças, mas sempre sob vigilância médica.

## 1.2 Medidas de Segurança

Ao usar este aparelho eléctrico, especialmente na presença de crianças, deve-se adoptar sempre umas medidas de segurança básicas. Não instale nem ponha a funcionar o aparelho sem antes ter lido este manual de instruções. Caso contrário, poderiam produzir-se danos pessoais e materiais. As seguintes advertências servem para avisar o utilizador sobre situações de emergência que é preciso ter em conta:

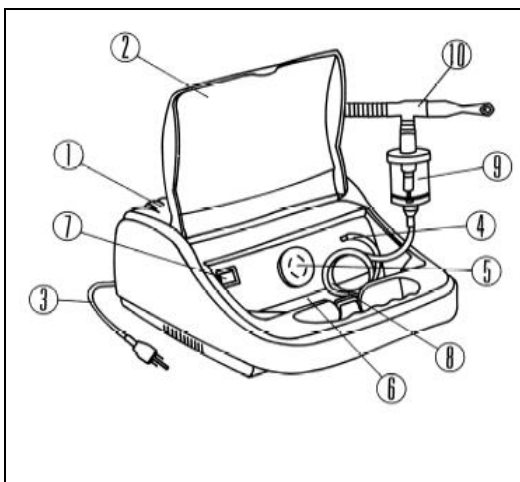
**PERIGO** - Informação de segurança relativa a perigos causadores de danos pessoais.

**AVISO** - Informação de segurança relativa a perigos causadores de danos sérios ou danos materiais.

**PRECAUÇÃO** - Informação relativa à prevenção de danos no aparelho.

## 2. Descrição do produto

1. Caixa de unidade.
2. Tapa de armazenamento
3. Cabo de alimentação eléctrica
4. Conector de saída de ar
5. Tapa do filtro (filtro descartável no interior)
6. Compartimento de armazenagem
7. Interruptor (luz verde)
8. Tubos
9. Receptáculo de medicamentos (nebulizador).
10. Boquilha



## 3. Funcionamento

**⚠ NOTA -** Antes de pôr o aparelho em funcionamento, limpe o seu BestNeb seguindo as instruções descritas na secção "Limpeza".

**⚠ AVISO -** Antes de ligar o cabo de alimentação eléctrica, certifique-se de que o interruptor se encontra na posição de desligado 0 (OFF).

**⚠** O aparelho também possui uma ficha de ligação à rede eléctrica.

### 3.1 Operação diária

**⚠ PRECAUÇÕES -** O Compressor BestNeb está desenhado só para uso intermitente. Não o faça funcionar mais de 30 minutos seguidos sem desliga-lo ou deixando um período de esfriamento de ao menos 30 minutos.

1. Uma vez desembalado o aparelho, certifique-se de que este não apresenta qualquer dano ou defeito.
2. Certifique-se de que os acessórios estão completos e que não têm danos.
3. Coloque o aparelho sobre uma mesa ou qualquer outra superfície estável. Certifique-se de que pode aceder aos controlos estando sentado. Não utilize este aparelho no chão.
4. Mantendo o interruptor na posição de apagado 0 (OFF), ligue o cabo de alimentação numa tomada eléctrica apropriada.
5. Ligue uma extremidade do tubo de condução à saída de ar do compressor.

6. Monte as peças do nebulizador com o difusor para baixo no receptáculo do medicamento.
7. Introduza o medicamento no receptáculo do nebulizador e feche a tampa.
8. Monte o bico e a peça em T e introduza-as na parte superior da tampa do nebulizador. Se for necessário, ligue o tubo reservatório à extremidade menor da peça em T. Se utilizar uma máscara de aerossol, ligue a parte inferior da máscara directamente à parte superior da tampa do nebulizador.
9. Ligue a outra extremidade do tubo de condução ao conector de entrada de ar situado na parte inferior do nebulizador.



**NOTA** - Este aparelho não pode ser utilizado na presença de misturas anestésicas inflamáveis com ar, oxigénio ou óxido nitroso. Este aparelho não possui protecção AP ou AP6.

## 3.2 Segurança contra sobrecarga




**NOTA** - Período máximo de funcionamento contínuo de 30 minutos.

1. O motor deste aparelho possui um protector térmico de sobrecarga. Se o motor alcançar uma determinada temperatura, o protector desliga-o automaticamente. Se isto ocorrer, pressione o interruptor e coloque-o na posição 0 (OFF), deixando que o motor arrefeça durante 30 minutos antes de o voltar a ligar.
2. Se o protector de sobrecarga apagar o motor frequentemente, verifique a estabilidade da tensão de rede.
3. Se o aparelho se apagar e não o puder voltar a ligar, necessita de assistência técnica. Contacte imediatamente o seu fornecedor..

## 4. LIMPEZA

### 4.1 Limpeza da carcaça exterior

 **AVISO** - Perigo de descarga eléctrica. Não abra o aparelho. Qualquer operação de desmontagem e manutenção deste aparelho deverá ser efectuada por um serviço de assistência técnica autorizado. Dirija-se sempre a pessoal especializado.


 **AVISO** - Este aparelho não necessita de lubrificação. Não tente lubrificar nenhuma parte interior.

 **AVISO** - Desligue o aparelho da corrente antes de o limpar. Não o mergulhe em água

1. Para manter a carcaça do aparelho livre de pó, limpe-a com frequência utilizando um pano ligeiramente húmido.
2. Não utilize nenhum tipo de detergentes em pó nem sabão. Não o mergulhe em água.

### 4.2 Limpeza do nebulizador descartável

Todas as peças do nebulizador descartável, excepto o tubo de condução, deverão ser limpas a fundo depois de cada uso. Se o seu médico lhe indicar algum procedimento de limpeza específico, siga-o sempre.

 **AVISO** - Para evitar qualquer possível risco de contaminação, recomenda-se limpar o nebulizador depois de cada uso.

1. Desmonte e lave todas as peças do nebulizador descartável, excepto o tubo de condução, em água quente com um detergente. Deixe secar ao ar. Mantenha-lo num lugar fresco e seco.
2. Uma vez ao dia, depois de lava-lo como se indica acima, submerja os componentes do nebulizador durante 30 minutos numa solução fresca composta com uma parte de água temperada e uma parte de vinagre, passando no final novamente por água temperada.

 **NOTA** - O kit nebulizador descartável é para uso pessoal do paciente.

 **NOTA** - Atenção à descarga da bateria ver indicações de regulação indicadas

## 5. Armazenagem

Guarde o aparelho e os seus acessórios num lugar limpo e seco. Não o exponha à luz solar.

## 6. Manutenção

### 6.1 Informação Geral

1. Este aparelho não necessita de lubrificação. Não o tente lubrificar.
2. Risco de descarga eléctrica. Não desmonte o aparelho.
3. Todas as operações de manutenção deverão ser efectuadas por pessoal de um serviço de assistência técnica autorizado.

### 6.2 Mudança do Filtro



**NOTA** - Mude o filtro de 30 em 30 dias ou quando tiver ficado cinzento.

1. Abra a tampa do filtro situada debaixo da asa.
2. Tire o filtro sujo com a ajuda de um pequeno objecto pontiagudo.
3. Ponha um filtro limpo. Os filtros de substituição deverão ser adquiridos ao seu fornecedor habitual.
4. Volte a colocar a tampa do filtro.



**PRECAUÇÃO** - Não utilize algodão ou qualquer outro material como filtro. Não lave nem volte a utilizar um filtro antigo. Não use o aparelho sem filtro.

### 6.3 Substituição do fusível



**NOTA** - Utilize fusíveis idênticos com o valor recomendado pelo fabricante.

1. Com uma moeda, desaperte a tampa do fusível situada na base do aparelho.
2. Retire o fusível fundido.
3. Coloque um fusível novo com o mesmo valor recomendado pelo fabricante.
4. Aperte novamente a tampa do fusível.

## 7. Determinação de problemas

Se o seu Compressor Nebulizador BestNeb falhar, consulte o seguinte guia de determinação de problemas.

Se o problema persistir, contacte o seu fornecedor.

Problema	Causa e Solução
O aparelho não funciona.	<ul style="list-style-type: none"> <li>• Comprove se a ficha está correctamente ligada a uma tomada eléctrica apropriada.</li> <li>• Depois de ter funcionado continuamente durante 30 minutos, o protector térmico activa o desligar automático. Deixe arrefecer o aparelho durante outros 30 minutos antes de o voltar a ligar.</li> <li>• Comprove o fusível (veja a secção de "Manutenção" para mais detalhes).</li> </ul>
Nebulização Débil	<ul style="list-style-type: none"> <li>• Certifique-se de que a voltagem da rede é a correcta.</li> <li>• Certifique-se de que o tubo de condução não está bloqueado.</li> <li>• Certifique-se de que o nebulizador está firmemente ligado ao compressor. Se depois de o voltar a ligar ainda perder ar, mude o tubo de condução.</li> <li>• Certifique-se de que o nebulizador e o tubo não estão danificados. Se estiverem, mude-os por outros novos.</li> <li>• Certifique-se de que o difusor está correctamente colocado no nebulizador.</li> <li>• Verifique se o filtro está muito sujo e se o tem que mudar.</li> </ul>

## 8. Especificações

Regime eléctrico (Nota: consulte a etiqueta do produto)	• 230VAC,60Hz,0.6A	• 230VAC,50Hz,0.6A
Pressão máxima do compressor	≥ 35 psi	≥ 35 psi
Índice de fluência de funcionamento	≥ 5.5 lpm	≥ 5.0 lpm
Saída de Aerosol	≥ 1.8 ml	
Taxa de Saída de Aerosol	≥ 0.3 ml/min*	
Capacidade do copo do medicamento	Mínimo 2ml - Máximo 6ml	
Tamanho de partícula	0.5 a 5 micras (µm)*	
Clasificación	Clase II, IP21 Equipo BF	
Dimensões (Anc. x P x A)	28.5 × 20.5 × 11.0 cm / 11.2" × 8.1" × 4.3"	
Peso	2.0 kg / 4.4 lb	
Fusível (ver nota 3)	T1.6AL 250V para sistema 230V	
Nível de Ruído	≤ 66 dBA (único dispositivo)	
Tempo de vida previsto	3 Year	
Ambiente	Temperatura	Funcionamento:: 10°C a 40°C / 50°F a 104°F
		Armazenagem -15°C a 50°C / 5°F a 122°F
		Transporte: -15°C a 70°C / 5°F a 158°F
	Humidade	Funcionamento: HR 10% a 90% sem condensação
		Armazenagem: HR 10% a 90% sem condensação
		Transporte: HR 10% a 90% sem condensação

- Notas** - 1. \* Valores determinados pelo fornecedor do nebulizador.  
 2. Consulte o seu distribuidor ou representante UE para obter documentação técnica adicional.  
 O sistema foi testado e aprovado com sucesso de acordo com os seguintes padrões:

	IEC/EN 60601-1
	IEC/EN 60601-1-2
	IEC/EN 61000-3-2 Class A
	IEC/EN 61000-3-3
	CISPR 11 Group 1, Class B

## 9. Accessories

<u>Modelo</u>	<u>Descrição</u>
668064-0000	Conjunto de Jato Nebulizador (Máscaras de Adulto e Criança )
668024-0000	Conjunto de Jato Nebulizador (Adaptador bucal)

## Apêndice A: Informação CEM

### Diretrizes e declaração do fabricante – Emissões electromagnéticas:

Este dispositivo destina-se a ser utilizado em ambientes electromagnéticos tal como especificado em baixo. O utilizador deste dispositivo deve certificar-se de que o mesmo é utilizado no tipo de ambiente a que se destina.

Teste de emissões	Compatibilidade	Ambiente electromagnético - Directrizes
Emissões RF CISPR 11	Grupo 1	0 dispositivo utiliza energia de radiofrequência unicamente para o seu funcionamento interno. Portanto, as suas emissões de radiofrequência são muito baixas e é improvável que causem qualquer interferência em equipamento electrónico que se encontre nas suas proximidades.
Emissões RF CISPR 11	Classe B	
Emissões harmónicas IEC61000-3-2	Classe A	Dispositivo adequado para utilização em todo o tipo de estabelecimentos incluindo casas particulares bem como estabelecimentos de atendimento ao público e ligados à rede de baixa tensão.
Flutuação da tensão / cintilação IEC61000-3-3	Compatível	



#### Aviso:


1. O dispositivo não deve ser utilizado em cima, por baixo ou na proximidade de outro equipamento. Se for necessário utilizar o dispositivo em cima, por baixo ou na proximidade de outro equipamento, deve verificar-se o correcto funcionamento do mesmo com o tipo de configuração a ser usada
2. Il est déconseillé d'utiliser des accessoires autres que ceux spécifiés pour l'appareil. Ils peuvent entraîner une augmentation des émissions ou une réduction de l'immunité de l'appareil.
3. O equipamento de comunicações RF portátil (incluindo periféricos, como cabos de antena e antenas externas) não deve ser utilizado dentro de 12 polegadas(30cm) de qualquer parte do Nebulizador, incluindo os cabos especificados pelo fabricante. A falha em fazer isso pode resultar em desempenho degradado deste equipamento



## Diretrizes e declaração do fabricante – Imunidade electromagnética:

Este dispositivo destina-se a ser utilizado em ambientes electromagnéticos tal como especificado em baixo. O utilizador deste dispositivo deve certificar-se de que o mesmo é utilizado no tipo de ambiente a que se destina.

Padrão EMC básico	Nível de teste de imunidade		Nível de Compatibilidade	Ambiente electromagnético - Directrizes
	Ambiente profissional de instalações de saúde	Ambiente de saúde em casa		
Descargas de electricidade estática IEC61000-4-2	Contacto $\pm 8$ kV Ar $\pm 15$ kV		Contacto $\pm 8$ kV Ar $\pm 15$ kV	O chão deve ser de madeira, cimento ou mosaicos de cerâmica. Se o chão estiver coberto por material sintético, a humidade relativa deve ser de pelo menos 30%.
Corte eléctrico rápido / interrupção IEC61000-4-4	$\pm 2$ kV na rede eléctrica $\pm 1$ kV para entrada/saída de alimentação		$\pm 2$ kV na rede eléctrica $\pm 1$ kV para entrada/saída de alimentação	A qualidade da alimentação proveniente da rede deve corresponder à alimentação típica fornecida a estabelecimentos comerciais e a hospitais.
Picos IEC61000-4-5	$\pm 1$ kV no modo diferencial $\pm 2$ kV no modo comum	$\pm 1$ kV no modo diferencial	$\pm 1$ kV no modo diferencial	A qualidade da alimentação proveniente da rede deve corresponder à alimentação típica fornecida a estabelecimentos comerciais e a hospitais.
Quebras de tensão, cortes de curta duração e variações de tensão no fornecimento de alimentação IEC61000-4-11	Tensão Dips: i) redução de 100% durante 0,5 período, ii) redução de 100% para 1 período, iii) redução de 30% para o período 25/30, Interrupções de tensão: 100% de redução para 250/300 período		230 V	A qualidade da alimentação proveniente da rede deve corresponder à alimentação típica fornecida a estabelecimentos comerciais e a hospitais Se o utilizador deste dispositivo requerer um funcionamento contínuo, recomendamos-lhe que o dispositivo seja alimentado através de uma forma de alimentação ininterrupta ou através de bateria.
Frequência-potência (50/60 Hz) dos campos magnéticos IEC61000-4-8	30 A/m	30 A/m	30 A/m	A frequência-potência dos campos magnéticos deve apresentar valores característicos para estabelecimentos comerciais ou hospitais.

Radiofrequência conduzida IEC 61000-4-6	3 Vrms 0,15 MHz - 80 MHz 6 Vrms em bandas ISM Entre 0,15 MHz e 80 MHz 80% AM a 1 kHz	3 Vrms 0,15 MHz - 80 MHz 6 VRMS no ISM e bandas de rádio amador entre 0,15 MHz e 80 MHz 80% AM a 1 kHz	6Vrms	O equipamento de comunicação portátil e RF móvel não deve ser usado próximo de qualquer parte deste dispositivo, incluindo os cabos, e tendo em atenção a distância recomendada calculada segundo a equação aplicável à frequência do transmissor.
Radiofrequência radiada IEC 61000-4-3	3 V / m 80 MHz a 2.7 GHz 80% AM a 1 kHz  Modo de pulso de 385-6000 MHz, 9-28V / m, 80% AM [1kHz] e outra modulação	10 V / m 80 MHz a 2.7 GHz 80% AM a 1 kHz  385-6000 MHz, 9-28V / m, 80% AM [1kHz] modo de pulso y otra modulación	10V/m	Distância recomendada $d = \sqrt{P}$ 150 kHz a 80 MHz $d = 0.6\sqrt{P}$ 80 MHz a 800 MHz $d = 1.2\sqrt{P}$ 800 MHz a 2.7 GHz  P é a potência de saída máxima do transmissor em watts (W) segundo o fabricante do mesmo e d é a distância recomendada em metros (m). <sup>b</sup>  A potência do campo dos transmissores RF, tal como determinada por um teste electromagnético do local, <sup>a</sup> deve ser inferior ao nível de compatibilidade em cada intervalo da frequência.  Podem existir interferências nas proximidades do equipamento assinalado com o símbolo seguinte:  
<p>NOTA 1: <math>U_T</math> é a tensão a.c. da rede antes da aplicação do teste de nível</p> <p>NOTA 2: A 80 MHz e 800 MHz, aplica-se o intervalo de frequência superior.</p> <p>NOTA 3 : Estas directrizes podem não se aplicar em todas as situações. A propagação electromagnética é afectada pela absorção e reflexo das estruturas, objectos e pessoas.</p>				
<p>a) A potência de campo dos transmissores fixos como, por exemplo, estações base para telemóveis e telefones sem fios e para telefones de linha fixa móveis, rádios amadores, estações de rádio AM e FM e estações de televisão não podem, teoricamente, ser previstas com precisão. Para avaliar o ambiente electromagnético devido a transmissores RF fixos, deve ser considerada a realização de um teste electromagnético. Se a potência de campo medida no local em que o dispositivo é usado exceder o nível de compatibilidade RF acima, o dispositivo deve ser verificado para se determinar se está a funcionar normalmente. Se for detectado um funcionamento anómalo, podem ser necessárias medidas adicionais tais como a reorientação ou reposicionamento do dispositivo.</p> <p>b) Nos intervalos de frequência acima dos 150 kHz a 80 MHz, a potência do campo deve ser inferior a 10 V/m.</p>				

## Distâncias recomendada entre equipamento de comunicação portátil e RF móvel e este dispositivo

Este dispositivo destina-se a ser utilizado em ambientes electromagnéticos com as interferências RF radiadas sob controlo. O utilizador deste dispositivo pode evitar as interferências electromagnéticas mantendo uma distância mínima entre o equipamento de comunicação portátil (transmissores) e este dispositivo tal como recomendado em baixo e segundo a potência de saída máxima do equipamento de comunicação.

Potência de saída máxima do transmissor W	150 kHz a 80 MHz $d = \sqrt{P}$	80 MHz a 800 MHz $d = 0.6\sqrt{P}$	800 MHz a 2.7 GHz $d = 1.2\sqrt{P}$
0,01	0.1	0.06	0.12
0,1	0.31	0.19	0.38
1	1	0.6	1.2
10	3.1	1.9	3.8
100	10	6	12

No caso dos transmissores com uma potência de saída máxima não listada acima, a distância recomendada  $d$  em metros (m) pode ser determinada usando a equação aplicável à frequência do transmissor, em que  $P$  é a potência de saída máxima do transmissor em watts (W) segundo o fabricante do mesmo.

**Nota 1:** A 80 MHz e 800 MHz, aplica-se o intervalo de frequência superior para a distância.

**Nota 2:** Estas directrizes podem não se aplicar em todas as situações. A propagação electromagnética é afectada pela absorção e reflexo das estruturas, objectos e pessoas.

# CONSERVEZ SOIGNEUSEMENT CES INSTRUCTIONS

## LISEZ TOUTES LES INSTRUCTIONS AVANT UTILISATION.

**PRÉCAUTION** - La loi fédérale des États Unis restreint la vente de ce dispositif aux médecins sur prescription par ordonnance médicale.

### PRÉCAUTIONS IMPORTANTES

**DANGER** - Pour réduire les risques d'électrocution :

1. Débranchez immédiatement l'appareil après utilisation.
2. Ne l'utilisez pas dans le bain ou dans la douche, ni à proximité de sources d'eau, de quelque type que ce soit.
3. Ne placez pas l'équipement dans des endroits d'où il pourrait tomber (surtout à l'eau).
4. Ne le plongez pas dans l'eau ou dans un autre liquide.
5. N'essayez pas de ramasser l'appareil s'il est tombé dans l'eau. Débranchez-le immédiatement.

**AVERTISSEMENT** - Pour réduire le risque de brûlures, d'électrocution, d'incendie ou de blessures personnelles :

1. Après avoir branché l'appareil, ne le laissez jamais sans surveillance.
2. Une attention particulière doit être apportée lorsque cet appareil est utilisé sur ou près d'un enfant ou d'une personne invalide. Un enfant risquerait de s'étouffer en avalant une petite pièce qui se serait détachée de l'appareil ou d'un de ses accessoires.
3. Ne l'utilisez que pour l'application décrite dans ce manuel et toujours sous contrôle médical. N'utilisez que les accessoires recommandés par le fabricant.
4. Ne faites jamais fonctionner l'appareil si, a) un câble ou une prise est ndommagé, b) il ne fonctionne pas normalement, c) il a chuté ou a été ndommagé, d) il est entré en contact avec de l'eau ou des liquides. Dans l'une de ces situations, faites-le réparer et contrôler par un centre de réparation agréé.
5. Maintenez le câble du réseau à l'écart de toutes sortes de chaleur.
6. Ne bloquez pas les entrées ou les sorties d'air de l'appareil et faites en sorte qu'aucun corps étranger ne puisse y pénétrer. Ne placez pas non plus l'équipement sur des surfaces molles comme des lits ou des fauteuils, car elles pourraient également être bloquées.
7. N'utilisez pas l'appareil pendant que vous dormez.
8. N'introduisez pas de corps étrangers dans les entrées ou les sorties d'air ou dans les tuyaux.
9. N'utilisez pas l'équipement à l'extérieur, ni dans un local où sont utilisés des produits d'aérosol (spray), ni dans un local où de l'oxygène est administré en circuit fermé comme les chambres à oxygène.
10. Ne branchez l'équipement que sur des prises de terre.
11. Risque de réactions allergiques aux matériaux utilisés dans l'appareil compresseur nébuliseur. Interrompre le traitement aux premiers signes de réaction allergique ou d'hypersensibilité et prévenir le médecin ou l'infirmière.
12. Risque de blessures de contact en utilisant l'appareil compresseur nébuliseur. Si des blessures de contact apparaissent, interrompre le traitement et informer le médecin ou l'infirmière.
13. Si des interférences électromagnétiques avec un téléphone mobile viennent à se produire, augmenter la distance (3,3m) avec l'équipement ou éteindre le téléphone mobile.

14. Ne pas laisser de tube à air de longueur importante sur votre lit, il risque de s'enrouler autour de votre tête ou de votre cou pendant votre sommeil, au point de vous étrangler.

### **SIGNIFICATION DES APPELS D'AVERTISSEMENT, REMARQUE ET PRÉCAUTION :**

**REMARQUE** - Indique une information à laquelle il faut faire particulièrement attention.

**PRECAUTION** - Indique les procédures nécessaires pour un bon fonctionnement et un bon entretien afin d'éviter tout dommage ou toute destruction sur l'appareil ou d'autres dispositifs.

**AVERTISSEMENT** - Attire l'attention de l'utilisateur sur des dangers potentiels qui nécessitent des opérations ou des pratiques correctes pour éviter des dommages personnels.

## SYMBOLES



Mandataire dans la communauté Européenne



Constructeur



Off, Éteint



On, Allumé

**IP21**

Protégé contre les objets extérieurs durs d'une taille supérieure ou égale à 12,5 mm.  
Protégé contre les chutes d'eau verticales



Courant Alterné



Limitation de température



AVERTISSEMENT doit être utilisé pour indiquer des avertissements ou des informations importantes relatives à l'appareil.



Symbole "BF" indique que ce produit est conforme au niveau de protection contre les chocs électriques pour les équipements de type BF.



Classe II



Consulter le mode d'emploi.



Attention, lisez ces instructions



Élimination des Équipements Électriques et Électroniques :


Ce produit doit être remis à un point de collecte pour le recyclage du matériel électrique et électronique. Pour de plus amples informations concernant le recyclage de ce produit, veuillez prendre contact avec votre distributeur local, le service de ramassage des déchets ménagers ou le détaillant auprès duquel vous avez acheté ce produit.

# 1. Introduction

Ce manuel doit être utilisé pour réaliser le réglage initial du système et doit être conservé pour pouvoir être consulté ultérieurement.


## 1.1 Utilisation Indiquée


Le Compresseur Nébulisateur BestNeb a été conçu pour produire une source d'air comprimé appliquée en aérosolthérapie à domicile. Le compresseur est utilisé en combinaison avec un nébulisateur de type jet pour transformer certains médicaments sous forme d'aérosol inhalable par le patient souffrant de problèmes respiratoires.

 **PRECAUTION** - Les indications thérapeutiques sont l'asthme, la bronchite chronique, l'infection des voies respiratoires supérieures, les maladies pulmonaires obstructives chroniques et d'autres gênes respiratoires selon la prescription médicale. N'utilisez pas cet appareil pour d'autres applications différentes de celles indiquées précédemment. Cet appareil peut être utilisé par les adultes et les enfants, toujours sous contrôle médical.

## 1.2 Mesures de Sécurité

Lorsque vous utilisez cet appareil électrique, particulièrement en présence d'enfants, veillez toujours à prendre des mesures de sécurité de base. N'installez pas cet appareil et ne le faites pas fonctionner avant d'avoir lu ce manuel d'instructions. Vous pourriez provoquer des blessures et des dommages. Les avertissements suivants vous indiquent des situations d'urgence dont il faut tenir compte :

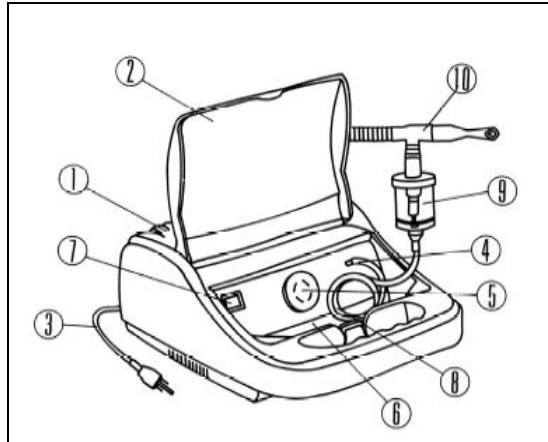
 **DANGER** - Informations de sécurité contre les dangers pouvant provoquer des blessures personnelles.

 **AVERTISSEMENT** - Information de sécurité contre les dangers pouvant provoquer des blessures sérieuses ou des dommages matériels.

 **PRÉCAUTION** - Informations pour éviter d'endommager l'appareil.

## 2. Description de l'appareil

1. Boîtier de l'unité
2. Couvercle de stockage
3. Câble électrique
4. Connecteur de Sortie d'Air
5. Couvercle du Filtre (filtre jetable à l'intérieur)
6. Compartiment de stockage
7. Interrupteur (feu vert)
8. Tuyau de Conduite
9. Réceptacle du médicament (nébulisateur)
10. Buse



## 3. FONCTIONNEMENT



### REMARQUE -

Avant de le mettre en marche, nettoyez votre BestNeb comme indiqué dans les instructions décrites au paragraphe "Nettoyage".



### AVERTISSEMENT -

Avant de brancher le câble électrique, vérifiez que l'interrupteur est bien en position 0 (OFF).



L'appareil est également muni d'une fiche de connexion à l'électricité.

### 3.1 Fonctionnement Quotidien




### PRECAUTION -

Cet appareil n'a été conçu que pour une utilisation intermittente. Même si traitement habituel est de 15 minutes environ, éteignez l'équipement après l'avoir utilisé pendant 30 minutes maximum et laissez-le refroidir pendant 30 minutes supplémentaires après l'avoir rallumé.


1. Lorsque vous avez déballé l'appareil, vérifiez qu'il n'est pas endommagé et qu'il n'a pas de défauts.
2. Vérifiez que les accessoires sont bien complets et en bon état.
3. Placez l'appareil sur une table ou sur toute autre surface stable. Vérifiez que vous pouvez accéder aux boutons de commandes quand vous êtes assis. N'utilisez pas cet appareil au sol.



4. Laissez l'interrupteur en position éteint 0 (OFF), branchez le câble dans une prise électrique appropriée.
5. Branchez une extrémité du tuyau de conduite à la sortie d'air du compresseur.
6. Montez les pièces du nébulisateur avec le baffle vers le bas dans le réceptacle du médicament.
7. Versez le médicament et fermez le couvercle du nébulisateur.
8. Montez la buse et la pièce en T et insérez-les dans la partie supérieure du couvercle du nébulisateur. Si nécessaire, branchez le tuyau de réservoir sur l'extrémité inférieure de la pièce en T. Si vous allez utiliser un masque à aérosol, branchez la partie inférieure du masque directement sur la partie supérieure du couvercle du nébulisateur.
9. Branchez l'autre extrémité du tuyau de conduite au connecteur d'entrée d'air situé dans la partie inférieure du nébulisateur.

 **NOTE** - L'équipement ne peut être utilisé s'il y a un risque de mélange d'un anesthésique inflammable avec l'air ou l'oxygène ou oxyde nitreux.


## 3.2 Sécurité contre la Surcharge

 **REMARQUE** - Fonctionnement continu maximum pendant 30 minutes.

1. Le moteur de cet appareil a un protecteur thermique de surcharge. Si le moteur atteint une température élevée, le protecteur l'éteint automatiquement. Si cela survient, appuyez sur l'interrupteur et placez-le en position 0 (OFF), en laissant le moteur refroidir pendant 30 minutes avant de le rallumer. Si l'équipement a une panne et qu'il ne se met pas en marche après avoir refroidi, vérifiez si le fusible n'a pas grillé (voir le chapitre "Entretien" pour plus de détails).
2. Si le protecteur de surcharge éteint fréquemment le moteur, il se peut que la tension de réseau ne soit pas stable.
3. Si l'équipement s'éteint et ne peut se remettre en marche, vous avez besoin d'une assistance technique. Prenez immédiatement contact avec votre fournisseur.

## 4. NETTOYAGE

### 4.1 Nettoyage de la Carcasse Extérieure.

 **AVERTISSEMENT** - Danger d'électrocution. N'ouvrez pas l'équipement. Seul un personnel du service technique agréé est autorisé à démonter et à entretenir cet équipement. Prenez toujours contact avec le personnel de ce service technique.


 **AVERTISSEMENT** - Cet appareil n'a pas besoin d'être graissé. Ne tentez jamais de lubrifier une partie interne.

 **AVERTISSEMENT** - Débranchez l'équipement avant de le nettoyer. Ne le plongez pas dans l'eau.

1. Pour éviter l'accumulation de poussière sur la carcasse de l'appareil, nettoyez-la fréquemment avec un chiffon légèrement humide.
2. N'utilisez jamais aucun type de produit nettoyage en poudre ou de savon. Ne le plongez pas dans l'eau.

### 4.2 Nettoyage du Nébulisateur Jetable

Toutes les pièces du nébulisateur jetable, sauf le tuyau doivent être nettoyées en profondeur après chaque utilisation. Si votre médecin vous indique une opération de nettoyage particulière, suivez-la.

 **AVERTISSEMENT** - Pour éviter tout risque éventuel de contamination, il est conseillé de nettoyer le nébulisateur après chaque utilisation.

1. Démontez et lavez toutes les pièces du nébulisateur jetable, sauf le tuyau, à l'eau chaude avec un produit nettoyant genre lave-vaisselle, sans ajout de citron.
2. Une fois par jour après l'avoir nettoyé comme indiqué ci-dessus, imbitez les pièces du nébulisateur dans une solution composée d'eau et de vinaigre pendant 30 minutes. Puis rincez-les abondamment et séchez-les à l'air chaud ou manuellement avec un chiffon propre et doux. Lorsqu'elles sont sèches, remontez le nébulisateur et rangez-le pour l'utiliser plus tard.

 **REMARQUE**: Le kit nébulisateur jetable ne doit être utilisé que par le patient.

 **REMARQUE**: Respectez les normes nationales pour éliminer correctement l'appareil.

## 5. Rangement

Rangez l'appareil et ses accessoires dans un lieu propre et sec. Ne l'exposez pas aux rayons du soleil directs.

## 6. Entretien

### 6.1 Informations générales

1. Cet appareil n'a pas besoin d'être graissé. Ne le lubrifiez pas.
2. Risque d'électrocution. Ne démontez pas l'équipement.
3. Toutes les opérations d'entretien doivent être réalisées par du personnel du service technique agréé

### 6.2 Remplacement du Filtre



**REMARQUE** - Remplacez le filtre tous les 30 jours ou lorsqu'il est gris.

1. Ouvrez le couvercle du filtre situé sous la poignée.
2. Démontez le filtre sale à l'aide d'un petit objet pointu.
3. Placez un filtre propre. Vous pourrez vous procurer des filtres de rechange auprès de votre fournisseur habituel.
4. Replacez le couvercle du filtre.



**PRECAUTION** - N'utilisez pas de coton ou d'autre matériel pour faire fonction de filtre. Ne lavez pas le filtre utilisé et ne le réutilisez pas. N'utilisez pas l'appareil sans filtre.

### 6.3 Remplacement du fusible



**REMARQUE** - Utilisez des fusibles identiques avec la valeur correcte conseillée par le fabricant.

1. Avec une pièce de monnaie, dévissez le couvercle du fusible situé à la base de l'appareil.
2. Démontez le fusible grillé.
3. Replacez le fusible avec la valeur conseillée par le fabricant.
4. Vissez de nouveau le couvercle du fusible.

## 7. Détection d'erreurs

Si votre Compresseur Nébulisateur BestNeb a une erreur, consultez le guide de Détection de Pannes suivant. Si le problème persiste, consultez votre fournisseur

Problème	Cause et Solution
L'appareil ne fonctionne pas	<ul style="list-style-type: none"> <li>• Vérifiez que la prise est bien branchée sur une prise électrique correcte.</li> <li>• Après avoir fonctionné en continu pendant 30 minutes, le protecteur thermique active la fonction de désactivation automatique. Laissez refroidir l'appareil pendant 30 minutes de plus avant de le remettre en marche.</li> <li>• Vérifiez le fusible (voyez le paragraphe "Entretien" pour plus de détails).</li> </ul>
Nébulisation faible	<ul style="list-style-type: none"> <li>• Vérifiez que la tension électrique est bien correcte.</li> <li>• Vérifiez que le tuyau n'est pas bouché.</li> <li>• Vérifiez que le nébulisateur est bien fermement branché sur le compresseur. Si après l'avoir rebranché, il y a toujours une fuite d'air, remplacez le tuyau d'air.</li> <li>• Vérifiez que le nébulisateur ou le tuyau ne sont pas endommagés. Si c'est le cas, remplacez-les.</li> <li>• Vérifiez que le baffle est bien correctement placé sur le nébulisateur.</li> <li>• Vérifiez si le filtre est très sale et s'il faut le changer.</li> </ul>


## 8. Specifications

Régime électrique (Remarque : consultez l'étiquette du produit)	• 230VAC,60Hz,0.6A	• 230VAC,50Hz,0.6A
Pression maximale compresseur	≥ 35 psi	≥ 35 psi
Ratio de flux fonctionnel	≥ 5.5 lpm	≥ 5.0 lpm
Sortie de gaz aérosols	≥ 1.8 ml	
Taux de sortie de gaz aérosols	≥ 0.3 ml/min*	
Contenance de la coupelle à médicaments	Minimum 2ml - Maximum 6ml	
Taille des Particules	0.5 ~ 5 microns*	
Classement :	Class II IP21 BF equipment	
Dimensions	28.5 × 20.5 × 11.0 cm / 11.2" × 8.1" × 4.3"	
Poids	2.0 kg / 4.4 lb	
Fusible	T1.6AL 250V for 230V system	
Niveau sonore	≤ 66 dBA (appareil ne)	
Durée de vie prévue	3 an	
Environnement	Température	Fonctionnement : 10°C à 40°C / 50°F à 104°F
		Rangement : -15°C à 50°C (+5°F à +122°F)
		Transport : -15°C à 70°C (+5°F à +158°F)
	Humidité	Fonctionnement : HR 10% à 90% sans condensation
		Rangement : HR 10% à 90% sans condensation
		Transport : 10% to 90% RH sans condensation

**Notes** - 1. \* Valeurs déterminées par le fournisseur du nébulisateur.

2. Consultez votre distributeur ou représentant UE pour obtenir des documents techniques supplémentaires.

Ce produit a été testé et approuvé conformément aux certificats suivants :

	IEC/EN 60601-1
	IEC/EN 60601-1-2
	IEC/EN 61000-3-2 Class A
	IEC/EN 61000-3-3
	CISPR 11 Group 1, Class B

## 9. ACCESSOIRES

<u>Modèle</u>	<u>Description</u>
668064-0000	Jet Nebulizer Set (pièces pour masque)
668024-0000	Jet Nebulizer Set (pièces pour coupelle)

## Annexe A: Informations sur CEM

### Directive et déclaration du fabricant - Émissions électromagnétiques:

L'appareil doit être utilisé dans un environnement électromagnétique indiqué ci-dessous. L'utilisateur de cet appareil doit garantir que l'appareil est utilisé dans un environnement approprié.

Emissions Test	Compliance	Electromagnetic Environment-Guidance
Émissions de RF CISPR 11	Groupe 1	Ce dispositif utilise de l'énergie de RF uniquement pour son fonctionnement interne. Par conséquent ses émissions de RF sont très faibles et ne risquent pas de provoquer des interférences sur les appareils électroniques situés à proximité.
Émissions de RF CISPR 11	Classe B	L'appareil peut être utilisé dans tous les établissements, y compris les établissements domestiques et ceux branchés directement à une alimentation publique à basse tension.
Emissions harmoniques IEC61000-3-2	Classe A	
Fluctuations de tension/papillotement IEC61000-3-3	Conforme à	




#### AVERTISSEMENT:

1. L'appareil ne doit pas être utilisé à proximité d'autres équipements ni posé sur ou sous d'autres équipements. S'il est impossible de l'utiliser autrement, vous devez vous assurer qu'il fonctionne normalement lorsqu'il est placé à l'endroit où il sera utilisé.
2. Il est déconseillé d'utiliser des accessoires autres que ceux spécifiés pour l'appareil. Ils peuvent entraîner une augmentation des émissions ou une réduction de l'immunité de l'appareil.
3. Les équipements de communication RF portables et mobiles ne doivent pas être utilisés à proximité des composants de l'appareil, y compris les câbles, à une distance inférieure 30cm(12 inches) à la distance de séparation recommandée calculée sur la base de l'équation applicable à la fréquence de l'émetteur.

## Directive et déclaration du fabricant - Immunité électromagnétique:

L'appareil doit être utilisé dans un environnement électromagnétique indiqué ci-dessous. L'utilisateur de cet appareil doit garantir que l'appareil est utilisé dans un environnement approprié.

Niveau du test d'immunité				
Norme EMC de base	Environnement des établissements de santé professionnels	Environnement de la santé à domicile	Niveau de Conformité	Environnement électromagnétique - Directive
Décharge électrostatique (ESD) IEC61000-4-2	Contact $\pm 8kV$ Air $\pm 15kV$		Contact $\pm 8kV$ Air $\pm 15kV$	Le sol doit être en bois, en béton ou en carreaux de céramique. Si les sols sont recouverts de matériaux synthétiques, l'humidité relative doit être de 30 % minimum.
Perturbations transitoires électriques rapides/ en salves IEC61000-4-4	$\pm 2kV$ pour la ligne d'alimentation $\pm 1kV$ pour la ligne d'entrée/sortie		$\pm 2kV$ pour la ligne d'alimentation $\pm 1kV$ pour la ligne d'entrée/sortie	La qualité du secteur doit toujours satisfaire les conditions commerciales ou hospitalières types.
Sur tension transitoire IEC61000-4-5	$\pm 1kV$ pour le mode différentiel $\pm 2kV$ pour le mode commun	$\pm 1kV$ pour le mode différentiel	$\pm 1kV$ pour le mode différentiel	La qualité du secteur doit toujours satisfaire les conditions commerciales ou hospitalières type.
Baisse de tension, interruptions courtes et variations de tension sur les lignes d'entrée d'alimentation. IEC61000-4-11	Tension Dips: i) réduction de 100% pour 0,5 période, ii) réduction de 100% pour la période, iii) réduction de 30% pour la période 25/30, Interruptions de tension: 100% de réduction pour la période 250/300		230 V	La qualité du secteur doit toujours satisfaire les conditions commerciales ou hospitalières type. Si l'utilisateur de cet appareil requiert une opération continue pendant les interruptions de secteur, il est recommandé soit de l'alimenter à partir de l'alimentation sans coupure ou d'une batterie.
Fréquence d'alimentation Champ magnétique (50/60Hz) IEC61000-4-8	30 A/m	30 A/m	30 A/m	Les champs magnétiques de fréquence industrielle doivent se trouver aux niveaux standard pour des emplacements commerciaux ou hospitaliers.
RF par conduction induite IEC 61000-4-6	3 Vrms 0,15 MHz - 80 MHz 6 Vrms dans les bandes ISM Entre 0,15 MHz et 80 MHz 80% AM à 1 kHz	3 Vrms 0,15 MHz - 80 MHz 6 Vrms dans l'ISM et les bandes de radio amateur entre 0,15 MHz et 80 MHz 80% AM à 1 kHz	6Vrms	L'équipement de communication RF portable et mobile, y compris les câbles, ne doit pas être utilisé près de cet appareil à une distance supérieure à l'intervalle de séparation de calculer avec l'équation applicable à la fréquence de l'émetteur.

<p>Radiated RF EM Fields IEC61000-4-3</p>	<p>3 V / m 80 MHz à 2.7 GHz 80% AM à 1 kHz</p> <p>385-6000 MHz, 9-28V / m, 80% AM (1kHz) mode impulsionnel et autres modulations</p>	<p>10 V / m 80 MHz à 2.7 GHz 80% AM à 1 kHz</p> <p>385-6000 MHz, 9-28V / m, 80% AM (1kHz) mode impulsionnel et autres modulations</p>	<p>10V/m</p>	<p>Distance de séparation recommandée  <math>d = \sqrt{P}</math> 150kHz à 80MHz  <math>d = 0.6\sqrt{P}</math> 80MHz à 800MHz  <math>d = 1.2\sqrt{P}</math> 800 MHz à 2.7GHz</p> <p>Où P est la valeur nominale de sortie maximum de l'émetteur en watts (W) selon le fabricant de l'émetteur et d représente la distance de séparation recommandée en mètres (m).<sup>b</sup></p> <p>Les intensités de champ des émetteurs RF fixes, telles que déterminées par une enquête électromagnétique du site,<sup>a</sup> doivent être inférieures au niveau de conformité dans chaque plage de fréquence.</p> <p>Le brouillage peut se produire dans le voisinage de l'appareil doté du symbole suivant:</p> 
<p>REMARQUE 1: <math>U_i</math> est la tension du secteur avant l'application du niveau de test</p> <p>REMARQUE 2: A 80 MHz et 800 MHz, la plage de fréquence la plus élevée s'applique.</p> <p>REMARQUE 3: Ces directives peuvent ne pas être applicables dans toutes les situations. La propagation électromagnétique est affectée par l'absorption et la réflexion des structures, objets et personnes.</p>				
<p>a) Les intensités de champ provenant des émetteurs fixes, tels que les stations de base pour les téléphones (cellulaire/sans fil) radio et les radios mobile et terrestres, la radio amateur, la diffusion radio AM et FM et la diffusion TV ne sont théoriquement pas prévisibles avec précision. Pour évaluer l'environnement électromagnétique provenant d'émetteurs RF fixes, il faut envisager une inspection électromagnétique du site. Si l'intensité du champ mesuré à l'emplacement dans lequel l'appareil doit être utilisé, dépasser le niveau de conformité RF applicable, il faut observer l'appareil pour en confirmer une opération normale. Si une performance anormale est observée, des mesures additionnelles s'avèrent nécessaires, telles que la réorientation ou le déplacement de l'appareil.</p> <p>b) Sur une plage de fréquence entre 150 kHz et 80 MHz, les intensités de champ doivent être inférieures à 10 V/m.</p>				



## Distance de séparation recommandée entre l'équipement de communication RF portable et mobile et cet appareil

Cet appareil doit être utilisé dans un environnement électromagnétique avec contrôle des perturbations radiées. Le client ou l'utilisateur de cet appareil peut essayer d'éviter le brouillage électromagnétique en maintenant une distance minimale entre l'équipement de communication RF portable et mobile (émetteurs) et cet appareil selon les recommandations ci-dessous et conformément à la sortie maximale de l'équipement de communication.

Alimentation de sortie nominale maximum de l'émetteur W			
	150 kHz à 80 MHz $d = \sqrt{P}$	80 MHz à 800 MHz $d = 0.6\sqrt{P}$	800 MHz à 2.7 GHz $d = 1.2\sqrt{P}$
0,01	0.1	0.06	0.12
0.1	0.31	0.19	0.38
1	1	0.6	1.2
10	3.1	1.9	3.8
100	10	6	12

Pour les émetteurs à une alimentation nominale de sortie maximum qui ne serait pas indiquée ci-dessus, la distance de séparation  $d$  en mètres (m) recommandée peut être estimée à l'aide de l'équation applicable à la fréquence de l'émetteur, où  $P$  représente la valeur nominale de sortie maximum de l'émetteur en Watts (W) d'émetteur selon le fabricant.

**Remarque 1:** A 80 MHz et 800 MHz, la distance de séparation pour la plage de fréquence la plus élevée s'applique.

**Remarque 2:** Ces directives peuvent pas être applicables dans toutes les situations. La propagation électromagnétique est affectée par l'absorption et la réflexion des structures, objets et personnes.

# BEWAHREN SIE DIESE ANLEITUNG AUF

## LESEN SIE ALLE ANWEISUNGEN VOR GEBRAUCH DURCH

**ACHTUNG** – Nach den Bundesgesetzen der USA darf dieses Gerät nur an ärztliche Fachkräfte oder nach ärztlicher Verschreibung verkauft werden.

### WICHTIGE VORKEHRUNGEN

**GEFAHR** – Um das Risiko einer elektrischen Entladung zu reduzieren:

1. Schalten Sie das Gerät nach Gebrauch unverzüglich aus.
2. Verwenden Sie es nicht im Bad, in der Dusche oder in der Nähe von Wasseranschlüssen aller Art.
3. Das Gerät darf nicht an Orten aufgestellt oder gelagert werden, an denen es herunterfallen kann (insbesondere ins Wasser).
4. Tauchen Sie es nicht in Wasser oder in eine andere Flüssigkeit.
5. Fassen Sie das Gerät nicht an, falls es ins Wasser gefallen ist. Schalten Sie es unverzüglich aus.

**WARNUNG** – Um die Risiken von Verbrennungen, elektrischer Entladung, Brand oder Personenschäden zu reduzieren:

1. Solange es in Betrieb ist, darf dieses Produkt nicht unbeaufsichtigt gelassen werden.
2. Besondere Aufsicht ist notwendig, wenn dieses Produkt von, an oder in der Nähe von Kindern oder körperlich beeinträchtigten Personen benutzt wird. Verschlucken von Kleinteilen, die sich von dem Gerät oder dessen Zubehör lösen, führt zu Erstickungsgefahr.
3. Verwenden Sie es nur für den in diesem Handbuch angegebenen Verwendungszweck und immer unter ärztlicher Kontrolle. Verwenden Sie keine Zubehöerteile, die nicht vom Hersteller empfohlen sind.
4. Schalten Sie das Gerät nicht ein, wenn: a) ein Kabel oder Stecker beschädigt sind, b) es nicht normal läuft, c) es heruntergefallen ist oder beschädigt wurde, d) es in Kontakt mit Wasser oder Flüssigkeiten gekommen ist. Bringen Sie das Gerät in diesen Fällen zu einem autorisierten Fachhändler zurück, um es überprüfen und reparieren zu lassen.
5. Halten Sie das Netzkabel fern von jeder Wärmequelle.
6. Blockieren Sie die Luftein- oder Auslässe des Geräts nicht, und lassen Sie keine Fremdkörper in dieselben eindringen. Stellen Sie das Gerät auch nicht auf weiche Oberflächen wie Betten oder Sessel, da die Luftein- und Auslässe dadurch ebenfalls blockiert werden könnten.
7. Verwenden Sie das Gerät nicht, während Sie schlafen.
8. Sie dürfen keine Fremdkörper in die Luftein- und Auslässe oder in die Schläuche einführen oder eindringen lassen.
9. Verwenden Sie das Gerät nicht außerhalb geschlossener Räume oder in der Nähe von Aerosol-Produkten (Spray), und auch nicht an Orten, an denen mit Sauerstoff in geschlossenen Kreisläufen wie Sauerstoffkammern gehandhabt wird.
10. Schließen Sie das Gerät nur an geerdete Steckdosen an.
11. Potenzielle allergische Reaktionen auf Stoffe und Materialien, die mit dem Kompressor-Vernebler verwendet werden. Beenden Sie die Behandlung umgehend bei den ersten Anzeichen von allergischen Reaktionen oder Überempfindlichkeit und kontaktieren Sie einen Arzt oder eine Krankenschwester.

12. Potenzielles Verletzungsrisiko für Patienten bei der Verwendung des Kompressor-Verneblers. Treten Verletzungen auf, beenden Sie die Behandlung und kontaktieren Sie einen Arzt oder eine Krankenschwester.
13. Bei elektromagnetischen Interferenzen von Mobiltelefonen erhöhen Sie bitte den Abstand zwischen den Geräten (3,3 m) oder schalten Sie das Mobiltelefon aus.
14. Lassen Sie keine langen Atemschläuche über dem Kopfteil Ihres Betts. Der Atemschlauch könnte sich um Ihren Kopf oder Hals wickeln, während Sie schlafen, und zu Erstickung führen.

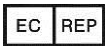
**BEDEUTUNG DER HINWEISE "WICHTIG", "ACHTUNG" UND "WARNUNG:"**

**WICHTIG** – Weist auf eine Information hin, der Sie eine besondere Beachtung schenken sollten.

**ACHTUNG** - Weist auf die erforderlichen Prozeduren für einen korrekten Betrieb und Instandhaltung zur Vermeidung von Schäden oder der Zerstörung des Geräts, seiner Komponenten oder anderer Güter hin.

**WARNUNG** - Weist auf eine mögliche Gefahr hin, die eine korrekte Verwendung erforderlich macht, um Personenschäden zu vermeiden.

## Symbole



Bevollmächtigter Vertreter in der Europäischen Gemeinschaft



Hersteller



Off, Ausschalten



On, Einschalten

**IP21**

Geschützt vor festen Fremdkörpern mit einer Größe ab 12,5 mm; geschützt gegen vertikal fallende Wassertropfen



Wechselstrom



Temperaturbegrenzung



ACHTUNG – weist auf besondere Warnungen und Sicherheitshinweise zum Gerät hin.



Das Symbol "BF" zeigt an, dass dieses Produkt den Schutzgrad gegen elektrische Entladung für Geräte vom Typ BF erfüllt.



Klasse II



Siehe Bedienungsanleitung/Broschüre



Achtung, Anleitung lesen



Recycling von elektrischen und elektronischen Geräten (WEEE):

Dieses Produkt muss in einem Recycling-Zentrum für elektrische und elektronische Geräte entsorgt werden. Für nähere Informationen zum Recycling dieses Produkts wenden Sie sich bitte an das lokale Recycling-Büro Ihrer Gemeinde, an den Abholdienst oder an die Stelle, wo sie das Gerät gekauft haben.

# 1. EINFÜHRUNG

## 1.1 Vorgesehener Verwendungszweck

Der Kompressor mit Verneblereinheit Best-Neb ist dafür konzipiert, eine Druckluftquelle für die Anwendung bei der Aerosoltherapie in der Hauspflege zu erzeugen. Der Kompressor wird in Verbindung mit einem Vernebler vom Typ "Jet" verwendet, um bestimmte Medikamente in eine Form von Aerosol umzuwandeln, das der Patient inhalieren kann.



**ACHTUNG** - Zu den therapeutischen Indikationen gehören Asthma, chronische Bronchitis, Infektionen der oberen Atemwege, chronisch-obstruktive Lungenkrankheiten und sonstige Störungen der Atemwege, entsprechend den ärztlichen Anweisungen. Verwenden Sie dieses Gerät nicht für andere Anwendungen als jene, die hier aufgeführt sind. Dieses Gerät kann bei Erwachsenen und von Kindern angewandt werden, sofern dies unter ärztlicher Kontrolle erfolgt.

## 1.2 Sicherheitsmaßnahmen

Bei Verwendung dieses elektrischen Geräts, insbesondere in Anwesenheit von Kindern, müssen stets einige grundlegende Sicherheitsmaßnahmen beachtet werden. Das Gerät darf nicht installiert oder betrieben werden, ohne vorher dieses Bedienerhandbuch gelesen zu haben. Andernfalls könnten Schäden und Beschädigungen auftreten. Die folgenden Warnhinweise dienen dazu, auf Notfallsituationen hinzuweisen, die berücksichtigt werden müssen:



**GEFAHR** - Sicherheitsinformationen zu Gefahren, die Personenschäden hervorrufen können.



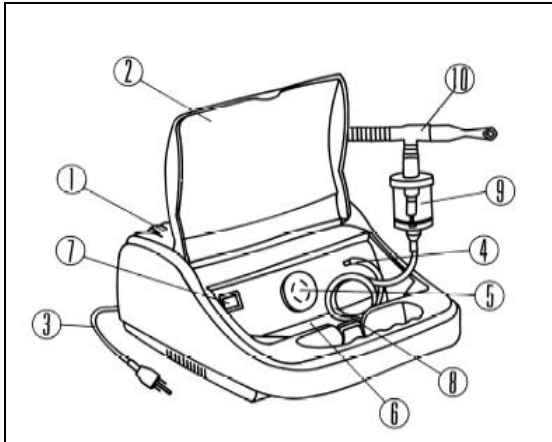
**WICHTIG** - Sicherheitsinformationen zu Gefahren, die ernsthafte Personen- oder Sachschäden hervorrufen können.



**WARNUNG** - Informationen zur Verhinderung von Schäden am Gerät.

## 2. DESCRIPCIÓN DEL EQUIPO

1. Gehäuse der Einheit.
2. Abdeckung für die Lagerung.
3. Netzkabel
4. Anschluss für Luftauslass
5. Filterdeckel (austauschbarer Filter im Inneren)
6. Lagerfach
7. Schalter(Grünes Licht)
8. Zuleitungsschlauch
9. Behälter für das Medikament (Vernebler).
10. Mundstück



## 3. BETRIEB

**⚠ WICHTIG** - Vor der Inbetriebnahme müssen Sie Ihren BestNeb gemäß den Anweisungen im Abschnitt "Reinigung" reinigen.

**⚠ WARNUNG** - Versichern Sie sich vor dem Anschluss des Netzkabels, dass sich der Schalter in der Position 0 (OFF) für "ausgeschaltet" befindet.

**⚠** Das Gerät ist auch mit einem Stecker für den Anschluss an das Stromnetz ausgestattet.

### 3.1 Täglicher Betrieb

**⚠ WICHTIG** - Dieses Gerät ist ausschließlich für den intermittierenden Gebrauch vorgesehen. Obwohl die normale Behandlung 15 Minuten dauert, schalten Sie das Gerät nach Gebrauch maximal 30 Minuten lang aus und lassen Sie es weitere 30 Minuten abkühlen, bevor Sie es wieder einschalten.

1. Sobald das Gerät ausgepackt ist, überprüfen Sie, dass es nicht beschädigt oder defekt ist.
2. Überprüfen Sie, dass die Zubehörteile vollständig und nicht beschädigt sind.
3. Stellen Sie das Gerät auf einen Tisch oder eine andere stabile Oberfläche. Versichern Sie sich, dass Sie die Bedienelemente im Sitzen erreichen können. Verwenden Sie dieses Gerät nicht auf dem Fußboden.

4. Verbinden Sie das Netzkabel mit einer geeigneten Stromquelle, wobei sich der Schalter in der Position 0 (OFF) für "ausgeschaltet" befinden muss.
5. Verbinden Sie ein Ende des Zuleitungsschlauchs mit dem Luftauslass des Kompressors.
6. Montieren Sie die Teile des Verneblers mit dem Baffle nach unten an den Behälter für das Medikament.
7. Führen Sie das Medikament ein und schließen Sie den Deckel des Verneblers.
8. Montieren Sie das Mundstück und das T-Stück und führen Sie sie in den oberen Teil des Deckels des Verneblers ein. Falls erforderlich, verbinden Sie den Vorratsschlauch mit dem schmaleren Ende des T-Stück. Wenn eine Aerosolmaske verwendet werden soll, verbinden Sie den unteren Teil der Maske direkt mit dem oberen Teil des Deckels des Verneblers.
9. Verbinden Sie das andere Ende des Zuleitungsschlauchs mit dem Anschluss für Lufteinlass, der sich am unteren Teil des Verneblers befindet.



**WICHTIG** - Dieses Gerät ist nicht zur Verwendung bei Anwesenheit eines brennbaren anästhetischen Luft-Sauerstoff-oder Luft-Lachgas-Gemischs geeignet. Dieses Gerät besitzt keinen AP- oder APG-Schutz.

## 3.2 Sicherheit gegen Überlastung



**WICHTIG** - Maximaler Dauerbetrieb: 30 Minuten.

1. Der Motor dieses Geräts besitzt eine Temperatursicherung zum Schutz gegen Überlastung. Falls der Motor eine zu hohe Temperatur erreicht, schaltet ihn die Temperatursicherung automatisch ab. Falls dies geschieht, bringen Sie den Schalter in die Position 0 (OFF) und lassen Sie den Motor 30 Minuten lang abkühlen, bevor Sie ihn erneut einschalten. Falls das Gerät nach dem Abkühlen nicht mehr funktioniert, überprüfen Sie, ob die Sicherung durchgebrannt ist (Näheres dazu siehe Abschnitt "Instandhaltung").
2. Falls der Überlastungsschutz den Motor wiederholt ausschaltet, kann dies auf eine schwankende Netzspannung zurückzuführen sein.
3. Falls das Gerät sich ausschaltet und nicht mehr in Gang gesetzt werden kann, ist technische Hilfe erforderlich. Wenden Sie sich unverzüglich an Ihren Fachhändler.

# 4. Reinigung

## 4.1 Reinigung des Außengehäuses



**WARNUNG** - Gefahr der elektrischen Entladung. Öffnen Sie das Gerät nicht. Das Auseinanderbauen und die Instandhaltung dieses Geräts muss durch einen autorisierten Kundendienst erfolgen. Wenden Sie sich immer an das Personal des besagten Kundendienstes.



**WARNUNG** - Dieses Gerät benötigt kein Entfetten. Versuchen Sie nicht, irgend ein Innenteil zu schmieren.



**WARNUNG** - Nehmen Sie das Gerät vom Netz, bevor Sie es reinigen. Stellen Sie es nicht in Wasser.

1. Um das Gehäuse des Geräts frei von Staub zu halten, reinigen Sie es wiederholt mit einem leicht angefeuchteten Tuch.
2. Verwenden Sie keinen Reiniger in Pulverform und keine Seife. Stellen Sie das Gerät nicht in Wasser.

## 4.2 Reinigung des austauschbaren Verneblers

Alle Teile des austauschbaren Verneblers, mit Ausnahme des Zuleitungsschlauchs, müssen sorgfältig nach jedem Gebrauch gereinigt werden. Falls Ihr Arzt Ihnen eine spezielle Reinigungsprozedur empfiehlt, halten Sie sich bitte jederzeit daran.



**WARNUNG** - Um das Risiko einer Ansteckung zu vermeiden, wird empfohlen, den Vernebler nach jedem Gebrauch zu reinigen.

1. Nehmen Sie alle Teile des austauschbaren Verneblers ab und waschen Sie sie, mit Ausnahme des Zuleitungsschlauchs, in warmem Wasser mit einem Reiniger vom Typ Geschirrspülmittel ohne Zitronenzusatz.
2. Tauchen Sie die Komponenten des Verneblers einmal am Tag, und nach der Reinigung gemäß den oben stehenden Anweisungen, 30 Minuten lang in einer Lösung aus Wasser und Essig. Spülen Sie sie danach mit warmem Wasser aus und trocknen Sie sie mit Heißluft oder von Hand mit einem sauberen Tuch ohne Fäden. Montieren Sie den Vernebler nach dem Trocknen erneut und bewahren Sie ihn für den nächsten Gebrauch auf.



**WICHTIG** - Der austauschbare Vernebler-Set dient dem persönlichen Gebrauch durch den Patienten.



**WICHTIG** - Befolgen Sie die einheimischen Normen zur Entsorgung des Geräts.



# 5. Lagerung

Bewahren Sie das Gerät und sein Zubehör an einem sauberen und trockenen Ort auf. Setzen Sie es nicht dem Sonnenlicht aus.

# 6. Instandhaltung

## 6.1 Allgemeine Informationen

1. Dieses Gerät benötigt kein Einfetten. Bitte nicht schmieren.
2. Gefahr der elektrischen Entladung. Das Gerät bitte nicht auseinanderbauen.
3. Alle Instandhaltungsmaßnahmen müssen durch autorisiertes Personal des Kundendienstes vorgenommen werden

## 6.2 Austausch des Filters



**WICHTIG** - Tauschen Sie den Filter alle 30 Tage aus, bzw. immer dann, wenn er eine graue Färbung angenommen hat.

1. Öffnen Sie den Filterdeckel unterhalb des Griffs.
2. Entfernen Sie den verschmutzten Filter mit Hilfe eines kleinen, spitzen Gegenstands.
3. Setzen Sie einen sauberen Filter ein. Ersatzfilter müssen bei Ihrem Fachhändler erworben werden.
4. Setzen Sie den Filterdeckel wieder ein

**ACHTUNG** - Verwenden Sie keine Baumwolle oder ein anderes Material als Filter. Der gebrauchte Filter darf weder gewaschen noch wiederverwendet werden. Benutzen Sie das Gerät nicht ohne Filter.

## 6.3 Austausch der Sicherung



**WICHTIG** - Verwenden Sie nur Sicherungen mit dem korrekten, vom Hersteller empfohlenen Wert.

1. Schrauben Sie mit einer Münze den Sicherungsdeckel auf, der sich unterhalb der Basis des Geräts befindet.
2. Entfernen Sie die durchgebrannte Sicherung.
3. Setzen Sie die neue Sicherung mit dem gleichen, vom Hersteller empfohlenen Wert ein.
4. Schrauben Sie den Sicherungsdeckel wieder auf.

# 7. Fehlerermittlung

Falls ein Fehler an Ihrem Kompressor mit Verneblereinheit BestNeb auftritt, beachten Sie die folgenden Leitlinien zur Fehlerermittlung. Falls das Problem weiter besteht, wenden Sie sich bitte an Ihren Fachhändler.

Problem	Ursache und Lösung
Das Gerät funktioniert nicht	<ul style="list-style-type: none"><li>• Überprüfen Sie, dass der Stecker korrekt an eine geeignete Stromquelle angeschlossen ist.</li><li>• Nach einem durchgehenden Betrieb von 30 Minuten aktiviert die Temperatursicherung das automatische Ausschalten. Lassen Sie das Gerät weitere 30 Minuten abkühlen, bevor Sie es wieder in Betrieb nehmen.</li><li>• Prüfen Sie die Sicherung (Näheres siehe Abschnitt "Instandhaltung").</li></ul>
Schwache Verneblung	<ul style="list-style-type: none"><li>• Überprüfen Sie, dass die korrekte elektrische Spannung vorhanden ist.</li><li>• Überprüfen Sie, dass der Zuleitungsschlauch nicht blockiert ist.</li><li>• Überprüfen Sie, dass der Vernebler fest mit dem Kompressor verbunden ist. Falls nach dem erneuten Anschließen weiterhin Luft austritt, tauschen Sie den Zuleitungsschlauch aus.</li><li>• Überprüfen Sie, dass der Vernebler oder der Schlauch nicht beschädigt sind. Falls ja, ersetzen Sie sie durch neue.</li><li>• Überprüfen Sie, dass das Baffle korrekt in den Vernebler eingesetzt ist.</li><li>• Überprüfen Sie, ob der Filter sehr verschmutzt ist und ersetzt werden muss.</li></ul>


## 8. Nähereangaben

Elektrischer Strom (Wichtig: Beachten Sie das Etikett des Produkts)		• 230VAC,60Hz,0.6A	• 230VAC,50Hz,0.6A
Maimaldruck des Kompressors		Approx. 35 psi	Approx. 35 psi
Fließindex bei Betrieb		Approx. 5.5 lpm	Approx. 5.0 lpm
Aerosolaustrag		≥ 1,8 ml	
Aerosolaustragsrate		≥ 0,3 ml/min*	
Fassungsvermögen des Bechers		Minimum 2 ml ~ Maximum 6 ml	
Partikelgröße		0.5 a 5 micras (µm)*	
Einstufung		Klasse II, IP21 Gerät vom Typ BF	
Maße		28.5 × 20.5 × 11.0 cm / 11.2" × 8.1" × 4.3"	
Gewicht		2.0 kg / 4.4 lb	
Sicherung (siehe Anmerkung 3)		T1.6AL 250V für System von 230V	
Schallpegel		≤ 66 dBA (einziges Gerät)	
Erwartete Lebensdauer		3 Jahr	
Umgebung	Temperatur	Betrieb: 10°C a 40°C / 50°F bis 104°F	
		Lagerung: -15°C a 50°C / 5°F bis 122°F	
		Transport: -15°C a 70°C / 5°F bis 158°F	
	Feuchtigkeit	Betrieb: HR 10% a 90% ohne Kondensation	
		Lagerung: HR 10% a 90% ohne Kondensation	
		Transport: HR 10% a 90% ohne Kondensation	

**Anmerkungen** - 1. \* Die Werte sind durch den Lieferanten des Verneblers festgelegt.

2. Fragen Sie Ihren Fachhändler oder EU-Vertreter, wenn Sie zusätzliche technische Unterlagen benötigen.

Für dieses Produkt wurden Tests vorgenommen und die folgenden Zertifikate ausgestellt:

	IEC/EN 60601-1
	IEC/EN 60601-1-2
	IEC/EN 61000-3-2 Class A
	IEC/EN 61000-3-3
	CISPR 11 Group 1, Class B

# 9. ZUBEHÖR

<u>Modell</u>	<u>Beschreibung</u>
668064-0000	Düsen-Vernebler-Satz (Masken für Erwachsene und Kinder)
668024-0000	Düsen-Vernebler-Satz (Mundstück)

## Anhang A: EMV-Informationen

### Hinweise und Herstellererklärungen – Elektromagnetische Emissionen:

Dieses Gerät ist zur Nutzung in nachstehend angegebenen elektromagnetischen Umgebungen vorgesehen. Anwender dieses Gerätes sollten dafür Sorge tragen, dass das Gerät in einer solchen Umgebung eingesetzt wird.

Emissionstest	Einhaltung von Vorgaben	Angaben zum elektromagnetischen Umfeld
HF-Emissionen CISPR11	Gruppe 1	Das Gerät verwendet RF-Energie nur für den internen Betrieb. Daher sind die RF-Emissionen sehr niedrig, und es ist unwahrscheinlich, dass sie Interferenzen bei elektronischen Geräten in der Nähe hervorrufen
HF-Emissionen CISPR 11	Klasse B	Dieses Gerät eignet sich zum Einsatz in sämtlichen Betriebsumgebungen einschließlich häuslichem Umfeld und Einsatz in direkt an öffentliche Niederspannungsnetze angeschlossenen Umgebungen.
Harmonische Emissionen IEC 61000-3-2	Klasse A	
Spannungsschwankungen/ Flicker Emissionen IEC 61000-3-3	Entspricht den Bestimmungen	




#### Warnung:

1. Das Gerät darf nicht neben oder gestapelt werden. Wenn eine angrenzende oder gestapelte Verwendung erforderlich ist, sollte das Gerät in der Konfiguration, in der es verwendet wird, den normalen Betrieb überprüfen.
2. Die Verwendung von Zubehör, Wandlern und Kabeln, die nicht vom Hersteller des Gerätes spezifiziert oder geliefert werden, kann zu einer Erhöhung der elektromagnetischen Emissionen oder zu einer Verringerung der elektromagnetischen Störfestigkeit dieses Gerätes führen und zu einem unsachgemäßen Betrieb führen.
3. Tragbare HF-Kommunikationsgeräte (einschließlich Peripheriegeräte wie Antennenkabel und externe Antennen) sollten nicht näher als 30 cm (12 Zoll) an einem beliebigen Teil des Verneblers, einschließlich der vom Hersteller angegebenen Kabel, verwendet werden. Andernfalls kann es zu einer Verschlechterung der Leistung dieses Gerätes kommen.

## Hinweise und Herstellererklärungen – Elektromagnetische Verträglichkeit:

Dieses Gerät ist zur Nutzung in nachstehend angegebenen elektromagnetischen Umgebungen vorgesehen. Anwender dieses Gerätes sollten dafür Sorge tragen, dass das Gerät in einer solchen Umgebung eingesetzt wird.

Immunitätstest Prüfpegel				
Grundlegende EMV-Norm	Professionelle Einrichtung im Gesundheitswesen	Gesundheit im Haushalt	Einhaltung von Angaben zum elektromagnetischen Umfeld	Vorgaben
Elektrostatische Entladung (ESD) IEC61000-4-2	±8 kV Kontakt ±15 kV kontaktlos		±8 kV Kontakt ±15 kV kontaktlos	Böden sollten aus Holz, Beton oder keramischen Kacheln bestehen. Bei mit synthetischen Materialien bedeckten Böden sollte die relative Luftfeuchtigkeit mindestens 30 % betragen.
Schnelle transiente Störgrößen/Burst IEC61000-4-4	±2 kV bei Stromversorgungsleitung ±1 kV bei Eingang-/Ausgangsleitung		±2 kV bei Stromversorgungsleitung ±1 kV bei Eingang-/Ausgangsleitung	Die Qualität der Stromversorgung sollte der typischen Qualität einer kommerziellen oder Klinikumgebung entsprechen.
Stoßspannungen IEC61000-4-5	±1 kV bei Differenzialmodus ±2 kV bei allgemeinem Modus	±1 kV bei Differenzialmodus	±1 kV bei Differenzialmodus	Die Qualität der Stromversorgung sollte der typischen Qualität einer kommerziellen oder Klinikumgebung entsprechen.
Spannungseinbrüche, Kurzzeitunterbrechungen und Spannungsschwankungen am Netzzeileingang IEC61000-4-11	Spannung Dips: i) 100% Reduktion für 0,5 Perioden, ii) 100% Ermäßigung für 1 Zeitraum, iii) 30% Reduktion für 25/30 Perioden, Spannungsunterbrechungen: 100% Ermäßigung für 250/300 Periode		230 V	Die Qualität der Stromversorgung sollte der typischen Qualität einer kommerziellen oder Klinikumgebung entsprechen. Falls kontinuierlicher Betrieb bei Unterbrechung der Stromversorgung erforderlich ist, sollte das Gerät über eine unterbrechungsfreie Stromversorgung oder über Batterien/Akkus betrieben werden.
Magnetfelder mit energietechnischen Frequenzen (50/60 Hz) IEC61000-4-8	30 A/m	30 A/m	30 A/m	Magnetfelder mit energietechnischen Frequenzen sollten typische Pegel einer kommerziellen oder Klinikumgebung aufweisen.
Hochfrequenzleitung IEC 61000-4-6	3 Vrms 0,15 MHz bis 80 MHz 6 Vrms in ISM-Bändern Zwischen 0,15 MHz und 80 MHz liegt	3 Vrms 0,15 MHz bis 80 MHz 6 Vrms in ISM und Amateurfunkbändern zwischen	6Vrms	Der Abstand von tragbaren und mobilen HF-Kommunikationsgeräten zu beliebigen Teilen dieses Gerätes (einschließlich Kabeln) sollte den empfohlenen Mindestabstand, der sich aus der für den Sender passenden Gleichung ergibt, nicht unterschreiten.

	80% AM bei 1 kHz	0,15 MHz und 80 MHz 80% AM bei 1 kHz		Empfohlener Mindestabstand $d = \sqrt{P}$ 150 kHz bis 80 MHz $d = 0.6\sqrt{P}$ 80 MHz bis 800 MHz $d = 1.2\sqrt{P}$ 800 MHz bis 2.7 GHz
Abgestrahlte Hochfrequenz IEC 61000-4-3	3 V / m 80 MHz bis 2.7 GHz 80% AM bei 1 kHz  385-6000 MHz, 9-28V / m, 80% AM (1kHz) und andere Modulation	10 V / m 80 MHz bis 2.7 GHz 80% AM bei 1 kHz  385-6000 MHz, 9-28V / m, 80% AM (1kHz) und andere Modulation	10V/m	P entspricht der maximalen Ausgangsleistung des Senders in Watt (W) gemäß Hersteller des Senders, d entspricht dem empfohlenen Abstand in Metern (m). <sup>b</sup>  Feldstärken von festen HF-Sendern, ermittelt durch elektromagnetische Standortprüfung, <sup>a</sup> sollten unterhalb der Vorgabe des jeweiligen Frequenzbereiches liegen.  Störungen können in der Nähe von Geräten auftreten, die mit folgendem Symbol gekennzeichnet sind:  

HINWEIS 1: U<sub>i</sub> entspricht der Wechselspannung vor Anwendung des Prüfpegels.

HINWEIS 2: Bei 80 und 800 MHz gilt der höhere Frequenzbereich.

HINWEIS 3: Diese Richtlinien können möglicherweise nicht in sämtlichen Situationen umgesetzt werden. Die elektromagnetische Ausbreitung wird durch Absorption und Reflexionen von baulichen Einrichtungen, Objekten und Personen beeinflusst.

- a) Die Feldstärken von festen Sendern wie Funk-Basisstationen von schnurlosen oder Mobiltelefonen, beweglichen Landfunkdiensten, Amateurfunkgeräten, Radiosendern sowie Fernsehsendern können in der Theorie nicht exakt prognostiziert werden. Zur Bemessung von elektromagnetischen Umgebungen mit festen HF-Sendern sollte eine elektromagnetische Standortprüfung in Betracht gezogen werden. Falls die gemessenen Feldstärken am Einsatzort des Gerätes die oben angegebenen HF-Vorgabepegel überschreiten sollten, sollte das Gerät hinsichtlich des normalen Betriebs unter Beobachtung gestellt werden. Falls ein anomaler Betrieb beobachtet werden sollte, können zusätzliche Maßnahmen – wie Neuplatzierung oder Neuausrichtung des Gerätes – erforderlich sein.
- b) Im Frequenzbereich 150 kHz bis 80 MHz sollten Feldstärken weniger als 10 V/m betragen.

### Empfohlene Abstände zwischen tragbaren und mobilen HF-Kommunikationsgeräten und diesem Gerät

Dieses Gerät ist für den Einsatz in einer elektromagnetischen Umgebung mit kontrollierten, abgestrahlten HF-Störungen vorgesehen. Der Käufer oder Nutzer dieses Gerätes kann zur Minderung elektromagnetischer Störungen durch Beibehaltung eines minimalen Abstandes gemäß nachstehender Auflistung zwischen tragbaren oder mobilen HF-Kommunikationsgeräten (Sendern) und diesem Gerät hinsichtlich maximaler Ausgangsleistung der Kommunikationsgeräte beitragen.

Maximale Senderausgangsleistung W	Abstand gemäß Sendefrequenz m		
	De 150 kHz a 80 MHz $d = \sqrt{P}$	De 80 MHz a 800 MHz $d = 0.6\sqrt{P}$	De 800 MHz a 2.7 GHz $d = 1.2\sqrt{P}$
0,01	0.1	0.06	0.12
0,1	0.31	0.19	0.38
1	1	0.6	1.2
10	3.1	1.9	3.8
100	10	6	12

Bei Sendern mit einer nicht oben angegebenen maximalen Ausgangsleistung kann der empfohlene Abstand  $d$  in Metern (m) mit Hilfe der für die jeweilige Frequenz des Senders zutreffenden Gleichung geschätzt werden; P steht für die maximaler Ausgangsleistung des Senders in Watt (W) gemäß Hersteller des Senders.

**Hinweis 1:** Bei 80 und 800 MHz gilt der Abstand für den höheren Frequenzbereich.

**Hinweis 2:** Diese Richtlinien können möglicherweise nicht in sämtlichen Situationen umgesetzt werden. Die elektromagnetische Ausbreitung wird durch Absorption und Reflexionen von baulichen Einrichtungen, Objekten und Personen beeinflusst.



**Apex Medical S.L.**

Elcano 9, 6ª planta

48008 Bilbao. Vizcaya. Spain



**Apex Medical Corp.**

No. 9, Min Sheng St., Tu-Cheng,

New Taipei City, 23679, Taiwan

**Manufacturing Facility:**

**Apex Medical (Kunshan) Corp.**

No. 1368, Zi Zhu Rd., Kunshan Kai Fa Hi-Tech,

Kunshan City, JiangSu Sheng, China

[www.apexmedicalcorp.com](http://www.apexmedicalcorp.com)

Print-2017/All rights reserved

666056-0000 V1.2