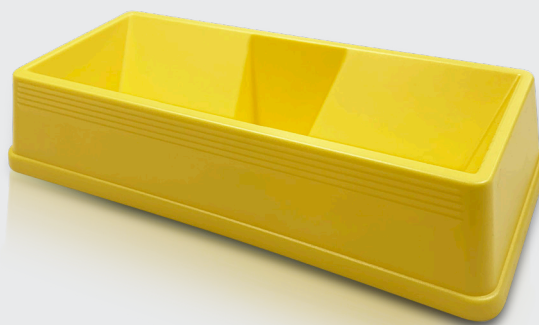
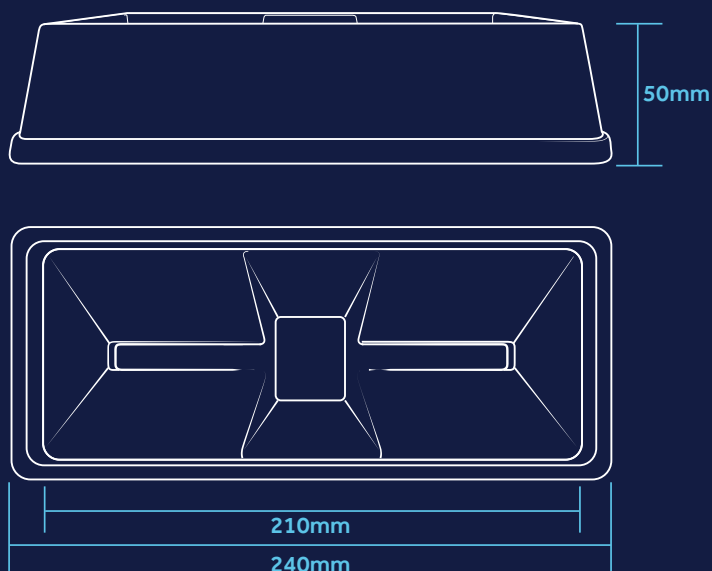


BLADE SAFETY TRANSFER DEVICE



BLADE SAFETY TRANSFER DEVICE

- Accepts a wide range of scalpels, trocars, suture needles, Kwires etc for safe transfer.
- Individually packaged and ETO sterilised.
- Convenient peel apart packaging.



ORDERING INFORMATION

CODE	DESCRIPTION	CASE QUANTITY
MDS-001	Blade Safety Transfer Device	96

Medtronic Australasia Pty Ltd
2 Alma Road
Macquarie Park, NSW 2113
Australia
Tel: +61 2 9857 9000
Fax: +61 2 9889 5167
Toll Free: 1800 668 670

Medtronic New Zealand Ltd
Level 3 - Building 5, Central Park Corporate Centre
666 Great South Road
Penrose, Auckland 1051
New Zealand
Fax: +64 9 918 3742
Toll Free: 0800 377 807

medtronic.com.au
medtronic.co.nz

© Medtronic 2019 All Rights Reserved.
Suture 347-06-19 ANZ. #6200-062019

Medtronic